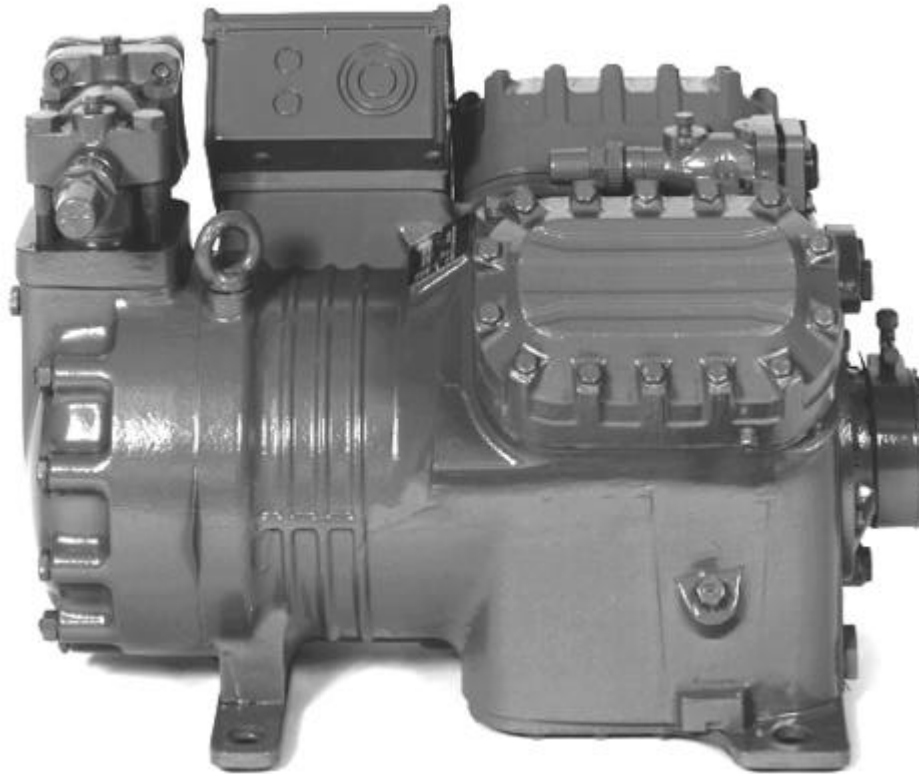

DWM COPELAND

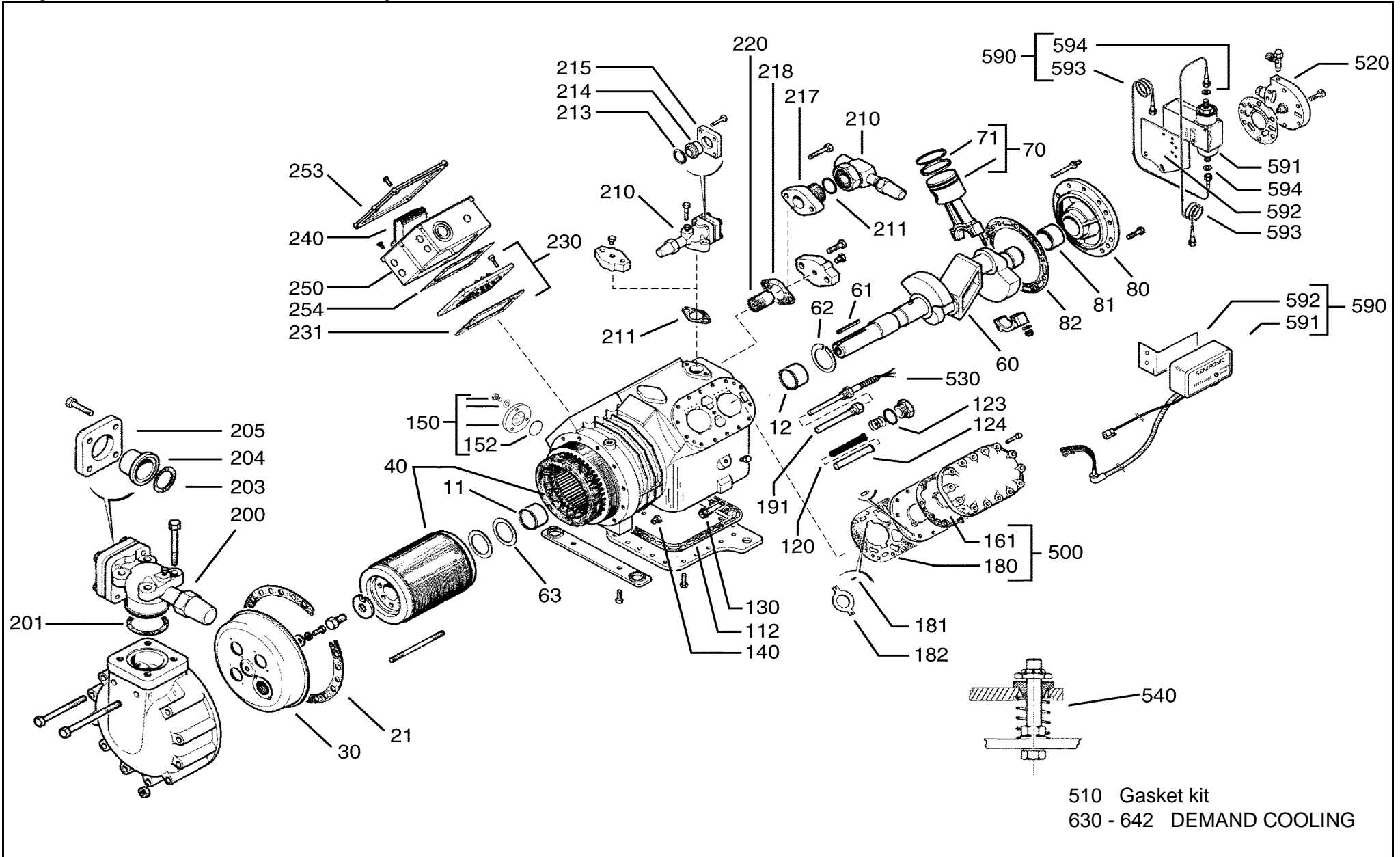
**Spare Parts List for
Motor Compressors**

D4D.3 / D4D.4



Exploded View of a Motor Compressor

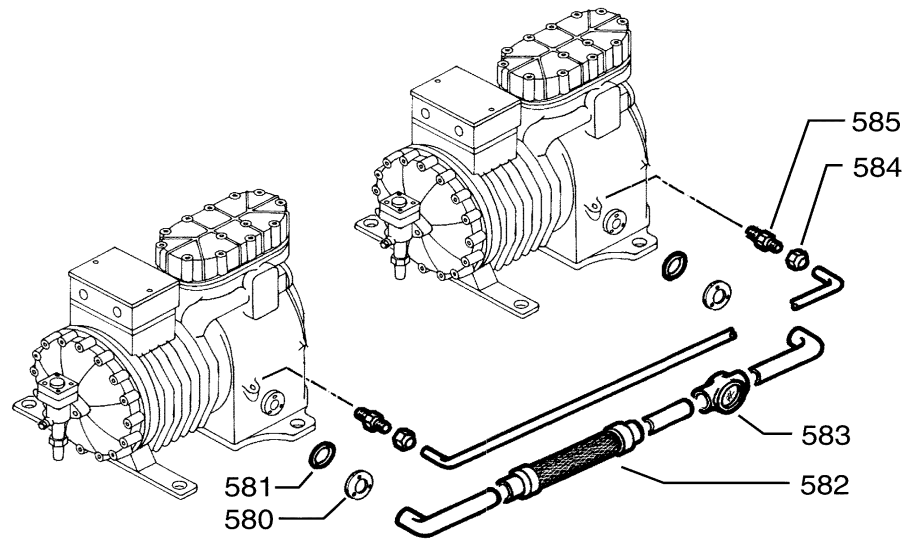
D4D.3 / D4D.4



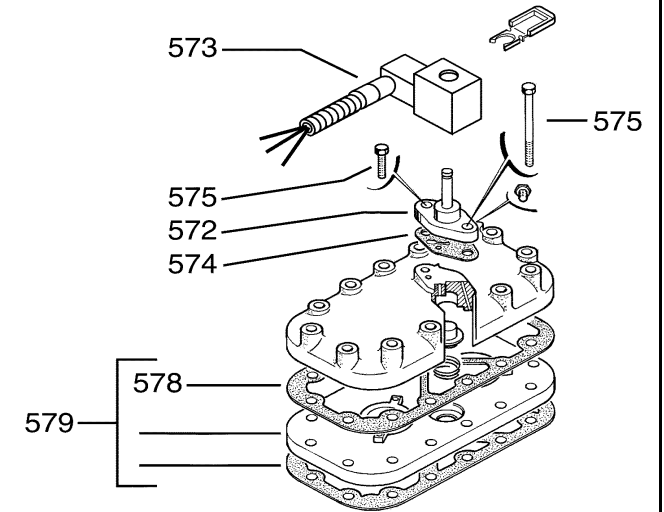
Exploded Views of Accessories

D4D.3 / D4D.4

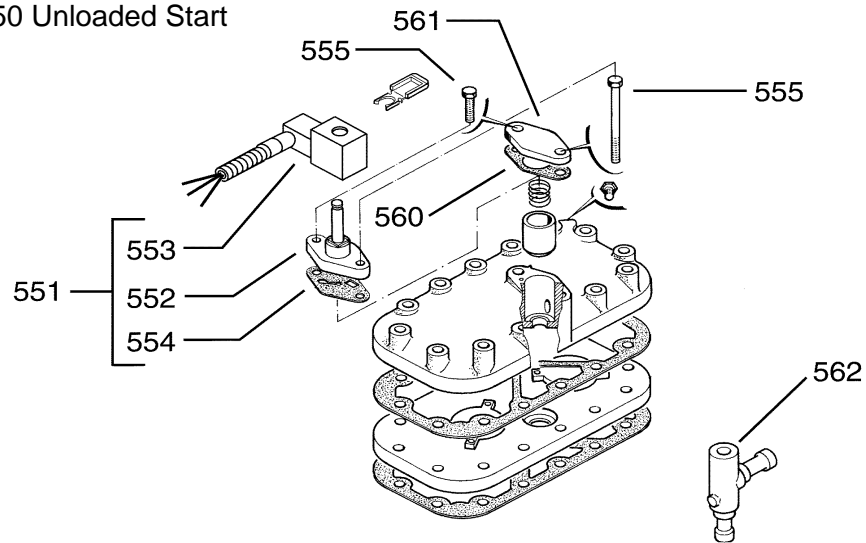
580 Oil balance tube for 2 compressors



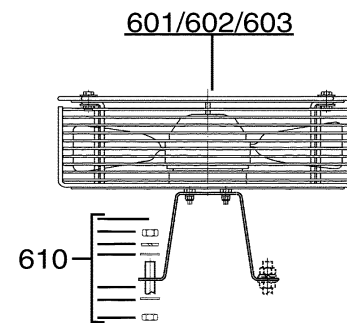
570 Capacity Control



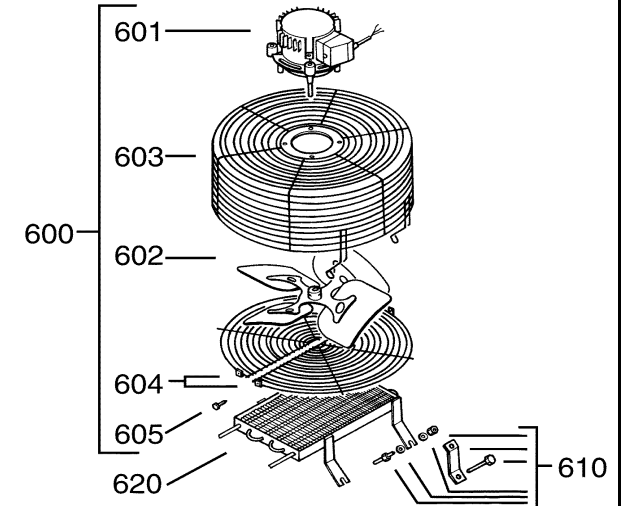
550 Unloaded Start



600 Additional fan EBM 75 Z



600 Additional fan 60W



Compressors marked with a "X" in the model name, e.g. D4DJ*-300X, are charged with ester oil and have the same parts as the standard compressors																																						
Diagram No.	Description	Part No.	D4DA*-1000	D4DF*-1000	D4DH*-1500	D4DL*-1500	D4DA*-2000	D4DJ*-2000	D4DT*-2200	D4DH*-2500	D4DJ*-3000																											
11	Bearing motor side	2882675	1	1	1	1	1	1	1	1	1																											
12	Bearing	2882686	1	1	1	1	1	1	1	1	1																											
21	Gasket for stator cover	2882802	1	1	1	1	1	1	1	1	1																											
21/30	Suction strainer assy complete with gasket	2846162	1	1	1	1	1	1	1	1	1																											
40	Motor unit 10HP AWM/D	4561943	1	1																																		
40	Motor unit 10HP EWM/D	4561932	1	1																																		
40	Motor unit 10HP EWL	4561921	1	1																																		
40	Motor unit 10HP EWK	4561976	1	1																																		
40	Motor unit 15HP AWM/D	4562037			1	1																																
40	Motor unit 15HP EWM/D	4562026			1	1																																
40	Motor unit 15HP EWL	4562015			1	1																																
40	Motor unit 15HP EWK	4562060			1	1																																
40	Motor unit 20HP AWM/D	4562128						1																														
40	Motor unit 20HP EWM/D	4562117						1																														
40	Motor unit 20HP EWL	4562106						1																														
40	Motor unit 20HP EWK	4562151						1																														
40	Motor unit 20HP AWM/D	4562300							1	1																												
40	Motor unit 20HP EWM/D	4562297							1	1																												
40	Motor unit 20HP EWL	4562286							1	1																												
40	Motor unit 20HP EWK	4562333							1	1																												
40	Motor unit 25HP AWM/D	4562399									1																											
40	Motor unit 25HP EWM/D	4562388									1																											
40	Motor unit 25HP EWL	4562377									1																											
40	Motor unit 25HP EWK	4562468									1																											
40	Motor unit 30HP AWM/D	4562617										1																										
40	Motor unit 30HP EWM/D	4562606										1																										
40	Motor unit 30HP EWL	4562593										1																										
40	Motor unit 30HP EWK	4562640										1																										
60	Crankshaft	2049767	1	1			1																															
60	Crankshaft	2050954			1	1		1	1	1	1																											
61	Crankshaft key	2049814	1	1	1	1	1	1	1	1	1																											
62	Washer open (gear side)	2858556	1	1	1	1	1	1	1	1	1																											
63	Washer closed (motor side)	2856823	1	1	1	1	1	1	1	1	1																											
70	Piston con-rod assy, 2 pcs per kit	2836252	2	2			2																															
70	Piston con-rod assy, 2 pcs per kit	2836263			2	2				2																												
70	Piston con-rod assy, 2 pcs per kit	2836274						2	2		2																											
71	Piston ring	2972074	8	8			8																															
71	Piston ring	2972096			8	8				8																												

Diagram No.	Description	Part No.	D4DA*-1000	D4DF*-1000	D4DH*-1500	D4DL*-1500	D4DA*-2000	D4DJ*-2000	D4DT*-2200	D4DH*-2500	D4DJ*-3000																				
	Compressors marked with a "X" in the model name, e.g. D4DJ*-300X, are charged with ester oil and have the same parts as the standard compressors																														
205	Flange 2 1/8" Nobis	2946846																													
	Flange 2 1/8" Henry Tandem-compressors	2050578	1	1	1	1	1																								
	Flange 2 1/8" Nobis Tandem-compressors	2946846	1	1	1	1	1																								
	Flange 2 5/8"/3 1/8" Tandem compressors	2830958						1	1	1	1																				
210/211	Discharge shut-off valve with gasket, sweat 1 1/8"	2837108	1		1		1			1																					
210/211	Discharge shut-off valve with gasket, sweat 1 1/8"	2837131		1		1																									
210/211	Discharge shut-off valve with gasket, sweat 1 3/8"	2837120							1																						
210/211	Discharge shut-off valve with gasket, sweat 1 3/8"	2837062						1			1																				
	Discharge shut-off valve with gasket, sweat 1 1/8" Tandem-compressors (1 piece)	2837131	2	2	2	2	2			2																					
	Discharge shut-off valve with gasket, sweat 1 3/8" Tandem-compressors (1 piece)	2837120						2	2		2																				
211	Gasket for discharge shut-off valve	2880908	1		1		1	1		1	1																				
211	Gasket for discharge shut-off valve	2050772		1		1			1																						
	Gasket for discharge shut-off valve Tandem-compressors (1 piece)	2050772	2	2	2	2	2	2	2	2	2																				
213	Gasket for pipe socket	2880884	1		1		1	1		1	1																				
214	Pipe socket 1 1/8"	2045936	1		1		1			1																					
214	Pipe socket 1 3/8"	2048060						1			1																				
215	Flange 1 1/8"	2859720	1		1		1			1																					
215	Flange 1 3/8"	2045152						1			1																				
	Shipping plate with gasket and screws (kit), suction side	2846093	1	1	1	1	1																								
	Shipping plate with gasket and screws (kit), suction side	2846106						1	1	1	1																				
	Shipping plate with gasket and screws (kit), discharge side	2846082	1	1	1	1	1	1	1	1	1																				
217	Mounting adapter for Rotalock valve	2050749		1		1			1																						
218	Gasket for mounting adapter Rotalock valve	2880908		1		1			1																						
220	Internal pressure relief valve	3086072	1	1	1	1	1	1	1	1	1																				
230	Terminal plate assy.	2514225	1	1	1	1	1	1	1	1	1																				
	Pack up terminal parts (kit)	2865592	1	1	1	1	1	1	1	1	1																				
231	Gasket for terminal plate	2880840	1	1	1	1	1	1	1	1	1																				
240	Module for VW-protection Kriwan INT 69 TM internal 24 V, DC	2832476	1	1	1	1	1	1	1	1	1																				
240	Module for VW-protection Kriwan INT 69 TM internal 24 V	2831553	1	1	1	1	1	1	1	1	1																				
240	Module for VW-protection Kriwan INT 69 TM internal 110 V	2831326	1	1	1	1	1	1	1	1	1																				
240	Module for VW-protection Kriwan INT 69 TM internal 220 V	2919411	1	1	1	1	1	1	1	1	1																				
240	Module for VW-protection Kriwan INT 69 TM internal 200-260 V	2940973	1	1	1	1	1	1	1	1	1																				
250	Terminal box	2937757	1	1	1	1	1	1	1	1	1																				
253	Cover for terminal box motor EW_, TW_, AW_	2937768	1	1	1	1	1	1	1	1	1																				

Diagram No.	Description	Part No.	D4DA*-1000	D4DF*-1000	D4DH*-1500	D4DL*-1500	D4DA*-2000	D4DJ*-2000	D4DT*-2200	D4DH*-2500	D4DJ*-3000																										
	Compressors marked with a "X" in the model name, e.g. D4DJ*-300X, are charged with ester oil and have the same parts as the standard compressors																																				
254	Gasket for terminal box	2938396	1	1	1	1	1	1	1	1	1																										
500	Valve plate assy, with the corresponding thickest valve plate gasket - Compressors fitted with capacity control and/or unloaded start device use valve plate 2835497 !	2835486	2	2		2			2																												
500	Valve plate assy, with the corresponding thickest valve plate gasket - Compressors fitted with capacity control and/or unloaded start device use valve plate 2835511 !	2835500				2		2	2		2	2																									
510	Gasket kit, with the corresponding thickest valve plate gaskets	2831940	1	1	1	1	1	1	1	1	1	1																									
520	Oil pump assy	2834778	1	1	1	1	1	1	1	1	1	1																									
530	Crankcase heater, internal 100 W, 115 V	4582584	1	1	1	1	1	1	1	1	1	1																									
530	Crankcase heater, internal 100 W, 230 V	6610169	1	1	1	1	1	1	1	1	1	1																									
530	Crankcase heater, internal 100 W, 480 V	2834358	1	1	1	1	1	1	1	1	1	1																									
	Silicone paste for mounting the heater into the sleeve	2942537	1	1	1	1	1	1	1	1	1	1																									
540	Mounting parts (kit)	2049643	1	1	1	1	1	1	1																												
540	Mounting parts (kit)	2263787								1	1	1																									
	Rubber mounting parts (kit)	2482315	1	1	1	1	1	1	1	1	1	1																									
550	Unloaded start (conversion kit) w/o check valve, with the corresponding thickest valve plate gasket, with solenoid coil 230 V, 50/60 Hz internal ALCO CONTROLS	2835577	1	1		1			1																												
550	Unloaded start (conversion kit) w/o check valve, with the corresponding thickest valve plate gasket, with solenoid coil 230 V, 50/60 Hz internal ALCO CONTROLS	2835555			1		1	1		1	1																										
550a	Unloaded start (conversion kit) inactive w/o control valve, w/o coil, w/o check valve	3106703	1	1		1		1																													
550a	Unloaded start (conversion kit) inactive w/o control valve, w/o coil, w/o check valve	3106714			1		1		1	1	1																										
551	Unloaded start kit (control valve, gasket, coil) 24 V, DC internal ALCO CONTROLS	2900231	1	1	1	1	1	1	1	1	1	1																									
551	Unloaded start kit (control valve, gasket, coil) 24 V, 50/60 Hz internal ALCO CONTROLS	2900220	1	1	1	1	1	1	1	1	1	1																									
551	Unloaded start kit (control valve, gasket, coil) 120 V, 50/60 Hz internal ALCO CONTROLS	2900219	1	1	1	1	1	1	1	1	1	1																									
551	Unloaded start kit (control valve, gasket, coil) 230 V, 50/60 Hz internal ALCO CONTROLS	2900208	1	1	1	1	1	1	1	1	1	1																									
552	Control valve w/o coil ALCO CONTROLS	2962471	1	1	1	1	1	1	1	1	1	1																									
553	Solenoid coil 24 V, DC ALCO CONTROLS	2831337	1	1	1	1	1	1	1	1	1	1																									
553	Solenoid coil 24 V, 50/60 Hz ALCO CONTROLS	2731051	1	1	1	1	1	1	1	1	1	1																									

Diagram No.	Description	Part No.	Compressors marked with a "X" in the model name, e.g. D4DJ*-300X, are charged with ester oil and have the same parts as the standard compressors																									
			D4DA*-1000	D4DF*-1000	D4DH*-1500	D4DL*-1500	D4DA*-2000	D4DJ*-2000	D4DT*-2200	D4DH*-2500	D4DJ*-3000																	
573	Solenoid coil 24 V, DC ALCO CONTROLS	2831337	1	1	1	1	1	1	1	1	1	1	1															
573	Solenoid coil 24 V, 50/60 Hz ALCO CONTROLS	2731051	1	1	1	1	1	1	1	1	1	1	1															
573	Solenoid coil 120 V, 50/60 Hz ALCO CONTROLS	2830049	1	1	1	1	1	1	1	1	1	1	1															
573	Solenoid coil 230 V, 50/60 Hz ALCO CONTROLS	2640773	1	1	1	1	1	1	1	1	1	1	1															
574	Gasket for control valve	2954954	1	1	1	1	1	1	1	1	1	1	1															
575	Bolt 3/8"-16 UNC x 1 1/8" 10.9	2871546	1	1	1	1	1	1	1	1	1	1	1															
575	Bolt 3/8"-16 UNC x 5 1/2" 10.9	2885674	1	1	1	1	1	1	1	1	1	1	1															
	Shipping plate for capacity control (capacity control not active)	2830016	1	1	1	1	1	1	1	1	1	1	1															
	Gasket for shipping plate	2877997	1	1	1	1	1	1	1	1	1	1	1															
578	Gasket below cylinder head (when capacity control, unloaded start)	2880839	1	1	1	1	1	1	1	1	1	1	1															
579	Valve plate assy for capacity control, with the corresponding thickest valve plate gasket	2835497	1	1		1					1																	
579	Valve plate assy for capacity control, with the corresponding thickest valve plate gasket	2835511			1		1	1			1	1																
580	Flange sweat (1 piece)	2496330	2	2	2	2	2	2	2	2	2	2	2															
581	Gasket for flange sweat (1 piece)	2042028	2	2	2	2	2	2	2	2	2	2	2															
582	Vibration absorber	2040099	1	1	1	1	1	1	1	1	1	1	1															
583	Oil sight glass SLG 28	2495882	1	1	1	1	1	1	1	1	1	1	1															
584	Insert socket 1/4"-18 NPTF (1 piece)	2063909	2	2	2	2	2	2	2	2	2	2	2															
585	Cap nut (1 piece)	2038456	2	2	2	2	2	2	2	2	2	2	2															
	Oil and gas equalization line for 1 compressor (flange sweat, gasket, insert socket, cap nut)	3106952	1	1	1	1	1	1	1	1	1	1	1															
	Oil regulation system, complete, ALCO OMA TraxOil	8526719	1	1	1	1	1	1	1	1	1	1	1															
	Transformer for oil regulating system ALCO OMA TraxOil	8527518	1	1	1	1	1	1	1	1	1	1	1															
590	Oil pressure safety switch with bracket and 2 capillary tubes ALCO CONTROLS	2834018	1	1	1	1	1	1	1	1	1	1	1															
590	Oil pressure safety switch with bracket and sensor SENTRONIC	2835419	1	1	1	1	1	1	1	1	1	1	1															
591	Oil pressure safety switch, w/o bracket, w/o capillary tubes ALCO CONTROLS	2966622	1	1	1	1	1	1	1	1	1	1	1															
591	Oil pressure safety switch, w/o bracket, w/o sensor, SENTRONIC (Caution! Obsolete and new SENTRONIC parts, e.g. obsolete module with new sensor, must not be used commonly)	2951853	1	1	1	1	1	1	1	1	1	1	1															

Diagram No.	Description	Part No.	D4DA*1000	D4DF*1000	D4DH*1500	D4DL*1500	D4DA*2000	D4DJ*2000	D4DT*2200	D4DH*2500	D4DJ*3000																
591	Compressors marked with a "X" in the model name, e.g. D4DJ*-300X, are charged with ester oil and have the same parts as the standard compressors Oil pressure safety switch, w/o bracket, w/o sensor, SENTRONIC+ NEW (Caution! Obsolete and new SENTRONIC parts, e.g. obsolete module with new sensor, must not be used commonly)	3107013	1	1	1	1	1	1	1	1	1																
591/593	Oil pressure safety switch with 2 capillary tubes, w/o bracket ALCO CONTROLS	2942300	1	1	1	1	1	1	1	1	1																
592	Bracket for oil pressure safety switch ALCO CONTROLS/Ranco	2039960	1	1	1	1	1	1	1	1	1																
592	Bracket for oil pressure safety switch SENTRONIC	2884557	1	1	1	1	1	1	1	1	1																
593	Capillary tube for oil pressure safety switch with gaskets, Cu-ring ALCO CONTROLS/Ranco (1 piece)	3808214	2	2	2	2	2	2	2	2	2																
594	Gasket, Cu-ring ALCO CONTROLS/Ranco (1 piece)	2974343	4	4	4	4	4	4	4	4	4																
	Sensor with gaskets SENTRONIC (Caution! Obsolete and new SENTRONIC parts, e.g. obsolete module with new sensor, must not be used commonly)	3807460	1	1	1	1	1	1	1	1	1																
	Sensor with gaskets SENTRONIC+ NEW (Caution! Obsolete and new SENTRONIC parts, e.g. obsolete module with new sensor, must not be used commonly)	3107046	1	1	1	1	1	1	1	1	1																
	Gasket, O-ring for sensor SENTRONIC	2944124	1	1	1	1	1	1	1	1	1																
	Gasket, circular for sensor SENTRONIC	2951831	1	1	1	1	1	1	1	1	1																
	Extention cable SENTRONIC (Caution! Obsolete and new SENTRONIC parts, e.g. obsolete module with new sensor, must not be used commonly)	3808087	1	1	1	1	1	1	1	1	1																
	Extention cable SENTRONIC+ NEW (Caution! Obsolete and new SENTRONIC parts, e.g. obsolete module with new sensor, must not be used commonly)	3107035	1	1	1	1	1	1	1	1	1																
600	Additional fan assy, vertical 60 W, 220-1-50, only for compressors with oil cooler	2835657		1		1			1																		
600	Additional fan assy, vertical, 60 W, 220/380-3-50/60, only for compressors with oil cooler	2835646		1		1			1																		
600	Additional fan assy, vertical, 220-1-50/60 EBM, not for compressors with oil cooler	2985994	1	1	1	1	1	1	1	1	1																
600	Additional fan assy, vertical, 220/380-3-50/60 EBM, not for compressors with oil cooler	2985847	1	1	1	1	1	1	1	1	1																

Diagram No.	Description	Part No.	Compressors marked with a "X" in the model name, e.g. D4DJ*-300X, are charged with ester oil and have the same parts as the standard compressors																																				
			D4DA*-1000	D4DF*-1000	D4DH*-1500	D4DL*-1500	D4DA*-2000	D4DJ*-2000	D4DT*-2200	D4DH*-2500	D4DJ*-3000																												
637	Bracket for expansion valve, complete	3805680		1		1				1																													
638	Piping, complete 50 Hz ALCO CONTROLS	2982315		1		1				1																													
638	Piping, complete 60 Hz ALCO CONTROLS	2982326		1		1				1																													
639	Filter drier 10 L ALCO CONTROLS	2959380		1		1				1																													
640	Sight glass 10 L, incl. indicator	2959379		1		1				1																													
641	Gasket, Cu-ring	2974376		1		1				1																													
642	Angle-adapter 3/8" NPT x 5/8" UNF, tube 3/8"	2987934		1		1				1																													