
DWM COPELAND

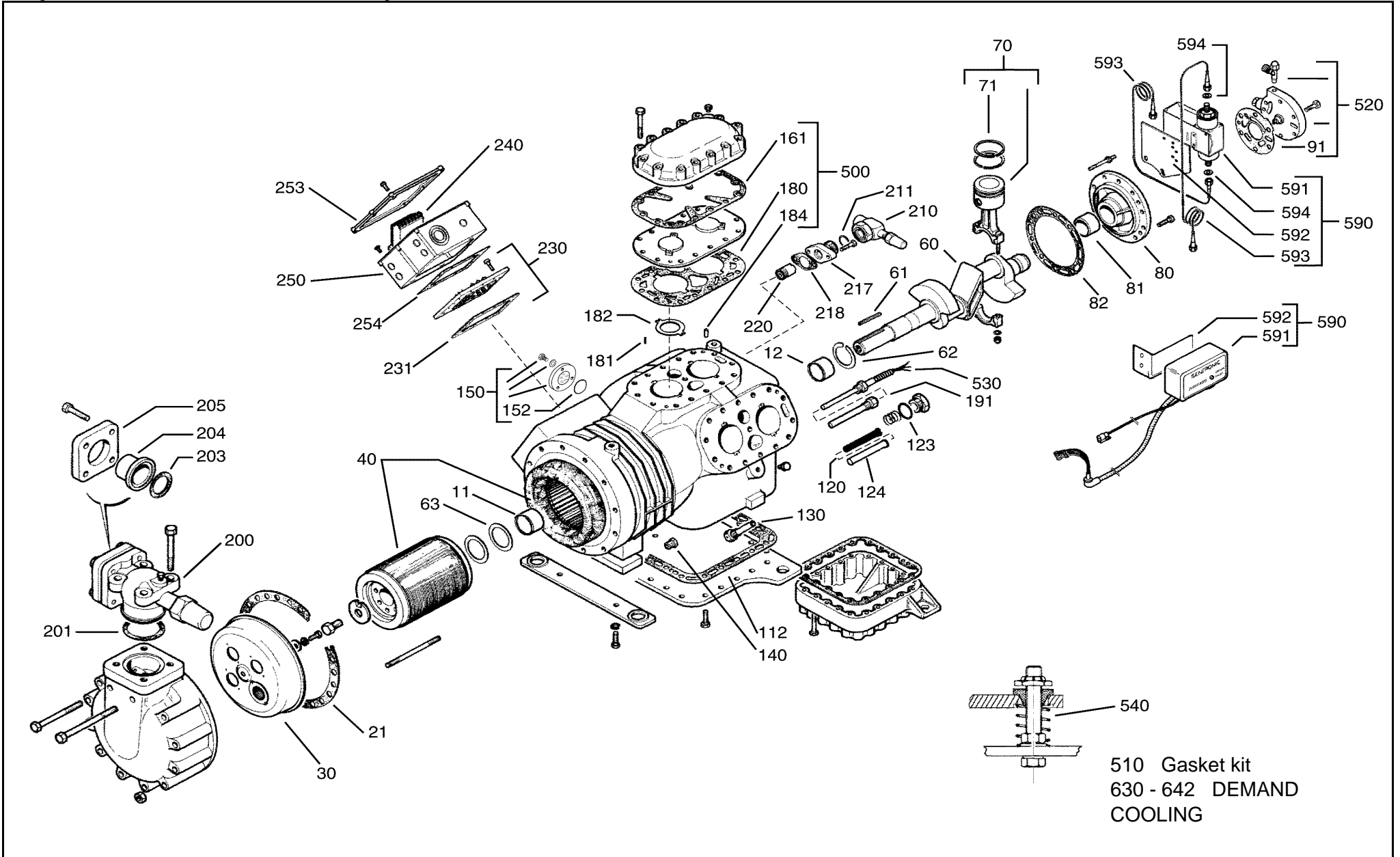
**Spare Parts List for
Motor Compressors**

D6D.3 / D6D.4



Exploded View of a Motor Compressor

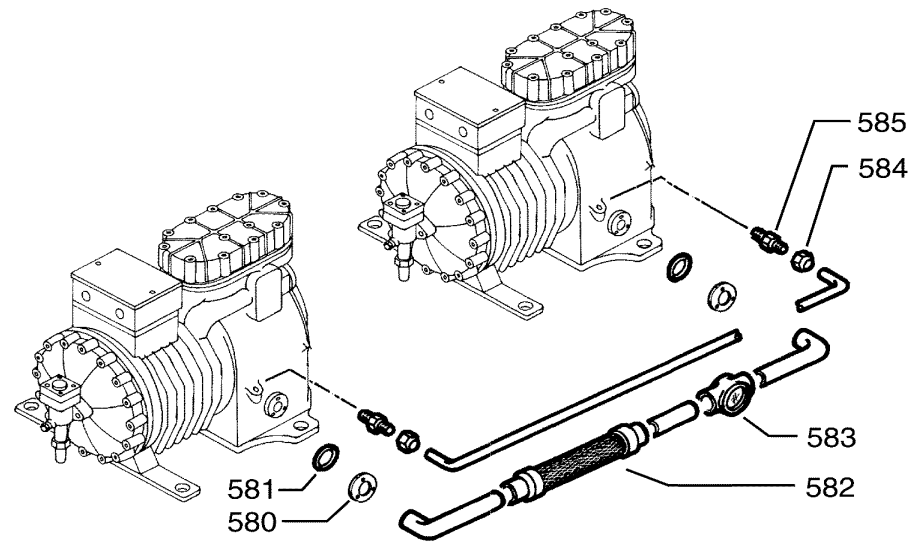
D6D.3 / D6D.4



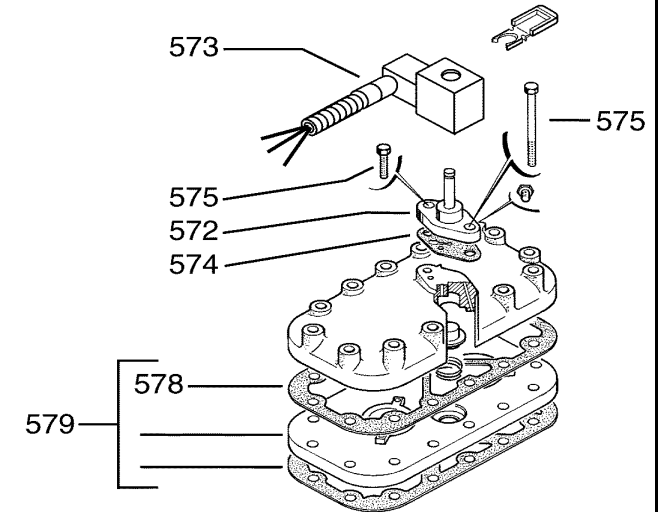
Exploded Views of Accessories

D6D.3 / D6D.4

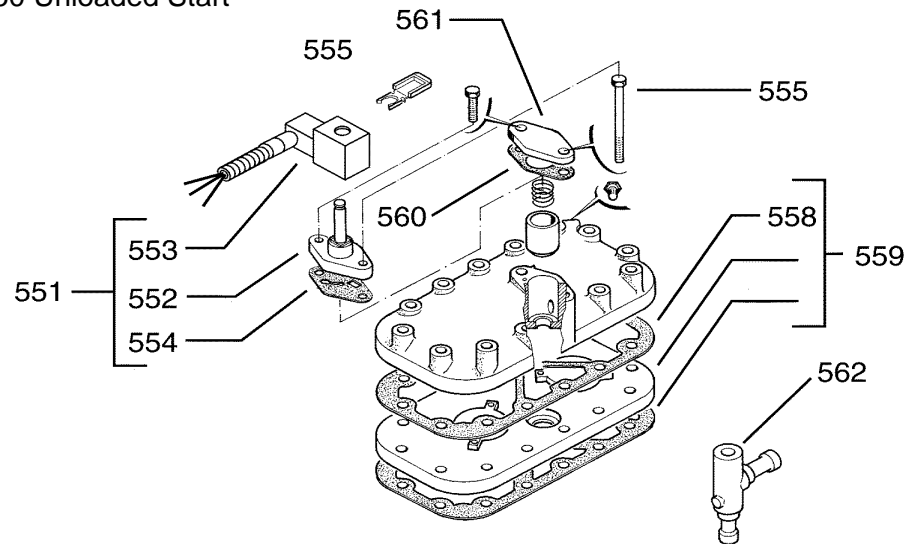
580 Oil balance tube for 2 compressors



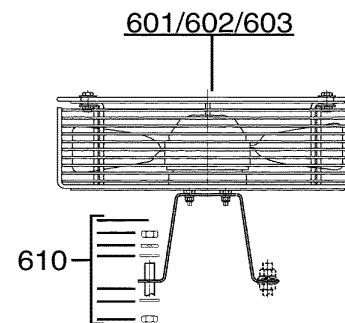
570 Capacity Control



550 Unloaded Start



600 Additional fan EBM 75 Z



600 Additional fan 60W

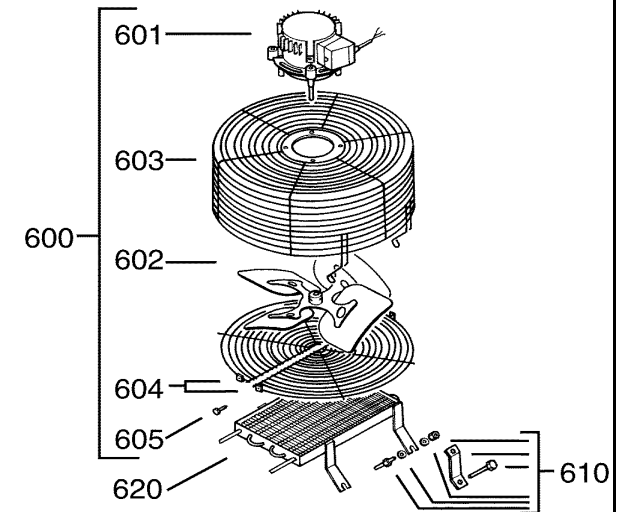


Diagram No.		Description	Part No.	Compressors marked with a "X" in the model name, e.g. D6DJ*-400X, are charged with ester oil and have the same parts as the standard compressors																																																										
				D6DH*-2000	D6DL*-2700	D6DJ*-3000	D6DT*-3000	D6DH*-3500	D6DJ*-4000																																																					
11		Bearing motor side	2882675	1	1	1	1	1	1																																																					
12		Bearing gear side	2882686	1	1	1	1	1	1																																																					
21		Gasket for stator cover	2882802	1	1	1	1	1	1																																																					
		Baffle plate	2886042		1		1																																																							
21/30		Suction strainer assy. complete with gasket	2846162	1	1	1	1	1																																																						
21/30		Suction strainer assy. complete with gasket	2846173																																																											
40		Motor unit 20HP AWM/D	4562300	1																																																										
40		Motor unit 20HP EWL/D	4562297	1																																																										
40		Motor unit 20HP EWL	4562286	1																																																										
40		Motor unit 20HP EWK	4562333	1																																																										
40		Motor unit 25HP AWM/D	4562526		1																																																									
40		Motor unit 25HP EWM/D	4562515		1																																																									
40		Motor unit 25HP EWL	4562504		1																																																									
40		Motor unit 25HP EWK	4562559		1																																																									
40		Motor unit 30HP AWM/D	4562797				1	1																																																						
40		Motor unit 30HP EWM/D	4562786				1	1																																																						
40		Motor unit 30HP EWL	4562775				1	1																																																						
40		Motor unit 30HP EWK	4562822				1	1																																																						
40		Motor unit 35HP AWM/D	4562888																																																											
40		Motor unit 35HP EWM/D	4562877																																																											
40		Motor unit 35HP EWL	4562866																																																											
40		Motor unit 35HP EWK	4562913																																																											
40		Motor unit 40HP AWM/D	4562979																																																											
40		Motor unit 40HP EWM/D	4562968																																																											
40		Motor unit 40HP EWL	4562957																																																											
40		Motor unit 40HP EWK	4563007																																																											
60		Crankshaft	2832443	1	1																																																									
60		Crankshaft	2832454				1	1	1	1																																																				
61		Crankshaft key	2474207	1	1																																																									
61		Crankshaft key	2050658				1	1	1	1																																																				
62		Washer open (gear side)	2858556	1	1	1	1	1	1	1																																																				
63		Washer closed (motor side)	2856823	1	1	1	1	1	1	1																																																				
70		Piston con-rod assy, 2 pcs per kit	2836263	3	3																																																									
70		Piston con-rod assy, 2 pcs per kit	2836274				3	3																																																						
71		Piston ring	2972096	12	12																																																									
71		Piston ring	2972110				12	12																																																						
80		Housing cover with bearing	2885992	1	1	1	1	1	1	1																																																				
80		Housing cover with bearing for oil cooler connection	2886008		1			1																																																						

Diagram No.	Description	Part No.	Compressors marked with a "X" in the model name, e.g. D6DJ*-400X, are charged with ester oil and have the same parts as the standard compressors																							
			D6DH*-2000	D6DL*-2700	D6DJ*-3000	D6DT*-3000	D6DH*-3500	D6DJ*-4000																		
81	Housing cover with bearing	2882686	1	1	1	1	1	1																		
82	Gasket for housing cover	2884251	1	1	1	1	1	1																		
91	Gasket for oil pump	2884262	1	1	1	1	1	1																		
	Gasket, O-ring for oil pump IOPS, SENTRONIC	2947601	1	1	1	1	1	1																		
112	Gasket for bottom plate	2883087	1	1	1	1	1	1																		
120/123	Oil screen with gasket	3806796	1	1	1	1	1	1																		
123	Gasket for oil screen	2885005	1	1	1	1	1	1																		
124	Sleeve for oil screen	2882722	1	1	1	1	1	1																		
130	Gas check valve	2895620	1	1	1	1	1	1																		
140	Oil check valve	2862060	1	1	1	1	1	1																		
150	Oil sight glass assy	2482519	1	1	1	1	1	1																		
152	Gasket for oil sight glass	2042028	1	1	1	1	1	1																		
161	Gasket for valve plate below cylinder head (1 piece). Cylinder heads fitted with capacity control and/or unloaded start use gasket 2880839	2880828	3	3	3	3	3	3																		
161/180	Gaskets for 1 valve plate (kit) below cylinder head (1 piece) and below valve plate (3 pcs)	2845681	3	3				3																		
161/180	Gaskets for 1 valve plate (kit) below cylinder head (1 piece) and below valve plate (3 pcs)	2845692			3	3		3																		
180	Gasket for valve plate below valve plate 0,029-0,033 inches (1 piece)	2881876	3	3				3																		
180	Gasket for valve plate below valve plate 0,036-0,040 inches (1 piece)	2528875	3	3				3																		
180	Gasket for valve plate below valve plate 0,039-0,043 inches (1 piece)	2528900	3	3				3																		
180	Gasket for valve plate below valve plate 0,029-0,033 inches (1 piece)	2881934			3	3		3																		
180	Gasket for valve plate below valve plate 0,034-0,038 inches (1 piece)	2528944			3	3		3																		
180	Gasket for valve plate below valve plate 0,039-0,043 inches (1 piece)	2528977			3	3		3																		
181/182	Parts for 1 valve plate (kit) suction valve reed, dowel pin	2836865	3		3			3																		
181/182	Parts for 1 valve plate (kit) suction valve reed, dowel pin	2836876		3		3																				
191	Sleeve for crankcase heater	6610181	1	1				1																		
200/201	Suction shut-off valve with gasket, sweat 2 1/8"	2837119	1	1	1	1	1	1																		
	Suction shut-off valve with gasket, sweat 3 1/8" Tandem-compressors	2837153	1	1	1	1	1	1																		
201	Gasket for suction shut-off valve	2880862	1	1	1	1	1	1																		

Diagram No.	Description	Part No.	D6DH*-2000		D6DL*-2700		D6DJ*-3000		D6DT*-3000		D6DH*-3500		D6DJ*-4000																																
	Compressors marked with a "X" in the model name, e.g. D6DJ*-400X, are charged with ester oil and have the same parts as the standard compressors																																												
	Gasket for suction shut-off valve Tandem-compressors	2880873	1	1	1	1	1	1	1	1	1	1	1																																
	Gasket for adapter, suction chamber/suction shut-off valve Tandem-compressors	2881183	1	1	1	1	1	1	1	1	1	1	1																																
203	Gasket for pipe socket	3091932	1	1	1	1	1	1	1	1	1	1	1																																
	Gasket for pipe socket Tandem-compressors	3091932	1	1	1	1	1	1	1	1	1	1	1																																
204	Pipe socket 2 1/8" Henry	2832830	1	1	1	1	1	1	1	1	1	1	1																																
204	Pipe socket 2 1/8" Nobis	2832841	1	1	1	1	1	1	1	1	1	1	1																																
204	Pipe socket 3 1/8" Tandem-compressors	2856674	1	1	1	1	1	1	1	1	1	1	1																																
205	Flange 2 1/8" Henry	2050578	1	1	1	1	1	1	1	1	1	1	1																																
205	Flange 2 1/8" Nobis	2946846	1	1	1	1	1	1	1	1	1	1	1																																
205	Flange 3 1/8" Tandem-compressors	2830958	1	1	1	1	1	1	1	1	1	1	1																																
210/211	Discharge shut-off valve with gasket, sweat 1 3/8"	2837120	1	1	1	1	1	1	1	1	1	1	1																																
211	Gasket for discharge shut-off valve	2050772	1	1	1	1	1	1	1	1	1	1	1																																
	Shipping plate with gasket and screws (kit), suction side	2846106	1	1	1	1	1	1	1	1	1	1	1																																
	Shipping plate with gasket and screws (kit), discharge side	2846082	1	1	1	1	1	1	1	1	1	1	1																																
217	Mounting adapter for Rotalock valve	2050749	1	1	1	1	1	1	1	1	1	1	1																																
218	Gasket for mounting adapter Rotalock valve	2880908	1	1	1	1	1	1	1	1	1	1	1																																
220	Internal pressure relief valve	3086072	1	1	1	1	1	1	1	1	1	1	1																																
230	Terminal plate assy.	2514225	1	1	1	1	1	1	1	1	1	1	1																																
230	Terminal plate assy.	2829330											1	1																															
	Pack up terminal parts (kit)	2865592	1	1	1	1	1	1	1	1	1	1	1																																
231	Gasket for terminal plate	2880840	1	1	1	1	1	1	1	1	1	1	1																																
240	Module for VW-protection Kriwan INT 69 TM internal 24 V, DC	2832476	1	1	1	1	1	1	1	1	1	1	1																																
240	Module for VW-protection Kriwan INT 69 TM internal 24 V	2831553	1	1	1	1	1	1	1	1	1	1	1																																
240	Module for VW-protection Kriwan INT 69 TM internal 110 V	2831326	1	1	1	1	1	1	1	1	1	1	1																																
240	Module for VW-protection Kriwan INT 69 TM internal 220 V	2919411	1	1	1	1	1	1	1	1	1	1	1																																
240	Module for VW-protection Kriwan INT 69 TM internal 200-260 V	2940973	1	1	1	1	1	1	1	1	1	1	1																																
250	Terminal box	2937757	1	1	1	1	1	1	1	1	1	1	1																																
253	Cover for terminal box motor EW_, TW_, AW_	2937768	1	1	1	1	1	1	1	1	1	1	1																																
254	Gasket for terminal box	2938396	1	1	1	1	1	1	1	1	1	1	1																																
500	Valve plate assy, with the corresponding thickest valve plate gasket Compressors fitted with capacity control and/or unloaded start device use valve plate 2835511 !	2835500	3			3						3	3																																
500	Valve plate assy, with the corresponding thickest valve plate gasket Compressors fitted with capacity control and/or unloaded start device use valve plate 2835497 !	2835486				3			3																																				

Diagram No.	Description	Part No.	D6DH*-2000	D6DL*-2700	D6DJ*-3000	D6DT*-3000	D6DH*-3500	D6DJ*-4000																													
	Compressors marked with a "X" in the model name, e.g. D6DJ*-400X, are charged with ester oil and have the same parts as the standard compressors																																				
510	Gasket kit, with the corresponding thickest valve plate gaskets	2831951	1	1	1	1	1	1																													
520	Oil pump assy	2834778	1	1	1	1	1	1																													
530	Crankcase heater, internal 100 W, 115 V	4582584	1	1			1																														
530	Crankcase heater, internal 100 W, 230 V	6610169	1	1			1																														
530	Crankcase heater, internal 100 W, 480 V	2834358	1	1			1																														
530	Crankcase heater internal 200 W, 120 V	2832216			1	1		1																													
530	Crankcase heater internal 200 W, 240 V	2832205			1	1		1																													
530	Crankcase heater internal 200 W, 480 V	3105653			1	1		1																													
531	Bracket for crankcase heater 200 W, mounted oil pump side	2941807			1	1		1																													
	Silicone paste for mounting the heater 100 W into the sleeve	2942537			1	1		1																													
540	Mounting parts (kit)	2263787	1	1																																	
540	Mounting parts (kit)	2482428						1																													
540	Mounting parts (kit)	2829078			1	1		1																													
	Rubber mounting parts (kit)	2482315	1	1				1																													
	Rubber mounting parts (kit)	3063662			1	1		1																													
550	Unloaded start (conversion kit) with the corresponding thickest valve plate gasket, with solenoid coil 230 V, 50/60 Hz internal ALCO CONTROLS	2835555	1		1			1	1																												
550	Unloaded start (conversion kit) with the corresponding thickest valve plate gasket, with solenoid coil 230 V, 50/60 Hz internal ALCO CONTROLS	2835577		1			1																														
550a	Unloaded start (conversion kit) inactive w/o contol valve, w/o coil, w/o check valve	3106714	1		1			1	1																												
550a	Unloaded start (conversion kit) inactive w/o contol valve, w/o coil, w/o check valve	3106703		1			1																														
551	Unloaded start kit (control valve, gasket, coil) 24 V, DC internal ALCO CONTROLS	2900231	1	1	1	1	1	1	1																												
551	Unloaded start kit (control valve, gasket, coil) 24 V, 50/60 Hz internal ALCO CONTROLS	2900220	1	1	1	1	1	1	1																												
551	Unloaded start kit (control valve, gasket, coil) 120 V, 50/60 Hz internal ALCO CONTROLS	2900219	1	1	1	1	1	1	1																												
551	Unloaded start kit (control valve, gasket, coil) 230 V, 50/60 Hz internal ALCO CONTROLS	2900208	1	1	1	1	1	1	1																												
552	Control valve w/o coil ALCO CONTROLS	2962471	1	1	1	1	1	1	1																												
553	Solenoid coil 24 V, DC ALCO CONTROLS	2831337	1	1	1	1	1	1	1																												
553	Solenoid coil 24 V, 50/60 Hz ALCO CONTROLS	2731051	1	1	1	1	1	1	1																												
553	Solenoid coil 120 V, 50/60 Hz ALCO CONTROLS	2830049	1	1	1	1	1	1	1																												

Diagram No.	Description	Part No.	D6DH*-2000	D6DL*-2700	D6DJ*-3000	D6DT*-3000	D6DH*-3500	D6DJ*-4000																							
	Compressors marked with a "X" in the model name, e.g. D6DJ*-400X, are charged with ester oil and have the same parts as the standard compressors																														
571	Capacity control kit (control valve, gasket, coil) 33 % reduction 24 V, DC ALCO CONTROLS	2879562	1	1	1	1	1	1																							
571	Capacity control kit (control valve, gasket, coil) 66 % reduction 24 V, DC ALCO CONTROLS	2879562	2	2	2	2	2	2																							
571	Capacity control kit (control valve, gasket, coil) 33 % reduction 24 V, 50/60 Hz ALCO CONTROLS	2865796	1	1	1	1	1	1																							
571	Capacity control kit (control valve, gasket, coil) 66 % reduction 24 V, 50/60 Hz ALCO CONTROLS	2865796	2	2	2	2	2	2																							
571	Capacity control kit (control valve, gasket, coil) 33 % reduction 120 V, 50/60 Hz ALCO CONTROLS	2865785	1	1	1	1	1	1																							
571	Capacity control kit (control valve, gasket, coil) 66 % reduction 120 V, 50/60 Hz ALCO CONTROLS	2865785	2	2	2	2	2	2																							
571	Capacity control kit (control valve, gasket, coil) 33 % reduction 230 V, 50/60 Hz ALCO CONTROLS	2835339	1	1	1	1	1	1																							
571	Capacity control kit (control valve, gasket, coil) 66 % reduction 230 V, 50/60 Hz ALCO CONTROLS	2835339	2	2	2	2	2	2																							
572	Control valve for capacity control w/o coil ALCO CONTROLS	2640831	1	1	1	1	1	1																							
573	Solenoid coil 24 V, DC ALCO CONTROLS	2831337	1	1	1	1	1	1																							
573	Solenoid coil 24 V, 50/60 Hz ALCO CONTROLS	2731051	1	1	1	1	1	1																							
573	Solenoid coil 120 V, 50/60 Hz ALCO CONTROLS	2830049	1	1	1	1	1	1																							
573	Solenoid coil 230 V, 50/60 Hz ALCO CONTROLS	2640773	1	1	1	1	1	1																							
574	Gasket for control valve	2954954	1	1	1	1	1	1																							
575	Bolt 3/8"-16 UNC x 1 1/8" 10.9	2871546	1	1	1	1	1	1																							
575	Bolt 3/8"-16 UNC x 5 1/2" 10.9	2885674	1	1	1	1	1	1																							
	Shipping plate for capacity control (capacity control not active)	2830016	1	1	1	1	1	1																							
	Gasket for shipping plate	2877997	1	1	1	1	1	1																							
578	Gasket below cylinder head (when capacity control/ unloaded start)	2880839	1	1	1	1	1	1																							
579	Valve plate assy for capacity control, with the corresponding thickest valve plate gasket	2835511	1		1			1	1																						
579	Valve plate assy for capacity control, with the corresponding thickest valve plate gasket	2835497		1		1																									
580	Flange sweat (1 piece)	2496330	2	2	2	2	2	2																							
581	Gasket for flange sweat (1 piece)	2042028	2	2	2	2	2	2																							
582	Vibration absorber	2040099	1	1	1	1	1	1																							
583	Oil sight glass SLG 28	2495882	1	1	1	1	1	1																							
584	Insert socket 1/4"-18 NPTF (1 piece)	2063909	2	2	2	2	2	2																							
585	Cap nut (1 piece)	2038456	2	2	2	2	2	2																							

Diagram No.	Description	Part No.	D6DH*-2000	D6DL*-2700	D6DJ*-3000	D6DT*-3000	D6DH*-3500	D6DJ*-4000																																													
	Compressors marked with a "X" in the model name, e.g. D6DJ*-400X, are charged with ester oil and have the same parts as the standard compressors																																																				
	Extension cable SENTRONIC+ NEW (Caution! Obsolete and new SENTRONIC parts, e.g. obsolete module with new sensor, must not be used commonly)	3107035	1	1	1	1	1	1																																													
600	Additional fan assy, vertical 60 W, 220-1-50, only for compressors with oil cooler	2835679		1		1																																															
600	Additional fan assy, vertical, 60 W, 220/380-3-50/60, only for compressors with oil cooler	2835668		1		1																																															
600	Additional fan assy, vertical, 220-1-50/60 EBM, not for compressors with oil cooler	2987843	1	1	1	1	1	1																																													
600	Additional fan assy, vertical, 220/380-3-50/60 EBM, not for compressors with oil cooler	2987832	1	1	1	1	1	1																																													
600	Additional fan assy, vertical, 500-3-50 EBM, not for compressors with oil cooler	2987854	1	1	1	1	1	1																																													
601	Motor for additional fan 60 W, 220/380-3-50/60 (if motor is 220-1-50, please order additionally run capacitor 6 µF)	2487456	1	1	1	1	1	1																																													
601/602/603	Additional fan assy, vertical 220-1-50/60 EBM w/o mounting kit	2986022	1	1	1	1	1	1																																													
601/602/603	Additional fan assy, vertical 220/380-3-50/60 EBM w/o mounting kit	2985972	1	1	1	1	1	1																																													
601/602/603	Additional fan assy, vertical 500-3-50 EBM w/o mounting kit	2986033	1	1	1	1	1	1																																													
	Run capacitor 6 µF for fan motor 50/55/60 W	2728686	1	1	1	1	1	1																																													
	Run capacitor 5 µF for additional fan 220-1-50/60 EBM	3097996	1	1	1	1	1	1																																													
602	Fan blade for additional fan 60 W (4 blades), ø 305 mm 33°	2728131	1	1	1	1	1	1																																													
603	Fan guard for additional fan 60 W; for a complete fan guard please order additionally 2 x cover 2912909 and 4 x screw 2939684	2912443	1	1	1	1	1	1																																													
604	Cover for fan guard 60 W (1 piece)	2912909	2	2	2	2	2	2																																													
605	Bolt B 3,9 x 16 Z 2 DIN 7976, 60 W (1 piece)	2939684	4	4	4	4	4	4																																													
610	Mounting kit for additional fan 60 W	2835635	1	1	1	1	1	1																																													
610	Mounting kit for additional fan EBM	2987638	1	1	1	1	1	1																																													
620	Oil cooler	2887841		1		1																																															
	Oil cooler connection for housing cover	3072262		1		1																																															
	Oil cooler connection for oil pump	2941363		1		1																																															
630	DEMAND COOLING assy, 120 V, 50 Hz ALCO CONTROLS	3808736		1		1																																															
630	DEMAND COOLING assy, 120 V, 60 Hz ALCO CONTROLS	3808747		1		1																																															
630	DEMAND COOLING assy, 230 V, 50 Hz ALCO CONTROLS	3808690		1		1																																															
630	DEMAND COOLING assy, 230 V, 60 Hz ALCO CONTROLS	3808703		1		1																																															

Diagram No.	Description	Part No.	D6DH*-2000	D6DL*-2700	D6DJ*-3000	D6DT*-3000	D6DH*-3500	D6DJ*-4000																																
	Compressors marked with a "X" in the model name, e.g. D6DJ*-400X, are charged with ester oil and have the same parts as the standard compressors																																							
631	Module for DEMAND COOLING 120 V, 50/60 Hz	2954567		1		1																																		
631	Module for DEMAND COOLING 230 V, 50/60 Hz	2954329		1		1																																		
632	Bracket for module	2959562		1		1																																		
633	Temperature sensor with cable 1 m	2954330		1		1																																		
633	Temperature sensor with cable 3 m	2954681		1		1																																		
635	Expansion valve w/o coil 50 Hz ALCO CONTROLS	2982246		1		1																																		
635	Expansion valve w/o coil 50 Hz Parker	3805704		1		1																																		
635	Expansion valve w/o coil 60 Hz ALCO CONTROLS	2982257		1		1																																		
635	Expansion valve w/o coil 60 Hz Parker	3805715		1		1																																		
636	Solenoid coil for expansion valve 120 V, 50/60 Hz ALCO CONTROLS	2830049		1		1																																		
636	Solenoid coil for expansion valve 120 V, 50/60 Hz Parker	2954545		1		1																																		
636	Solenoid coil for expansion valve 230 V, 50/60 Hz ALCO CONTROLS	2640773		1		1																																		
636	Solenoid coil for expansion valve 230 V, 50/60 Hz Parker	2954409		1		1																																		
637	Bracket for expansion valve, complete	3805680		1		1																																		
638	Piping, complete 50 Hz ALCO CONTROLS	2982337		1		1																																		
638	Piping, complete 60 Hz ALCO CONTROLS	2982348		1		1																																		
639	Filter drier 10 L ALCO CONTROLS	2959380		1		1																																		
640	Sight glass AMI 10 L, incl. indicator	2959379		1		1																																		
641	Gasket, Cu-ring	2974376		1		1																																		
642	Adapter 3/8" NPT x 5/8" UNF, tube 3/8"	2987934		2		2																																		