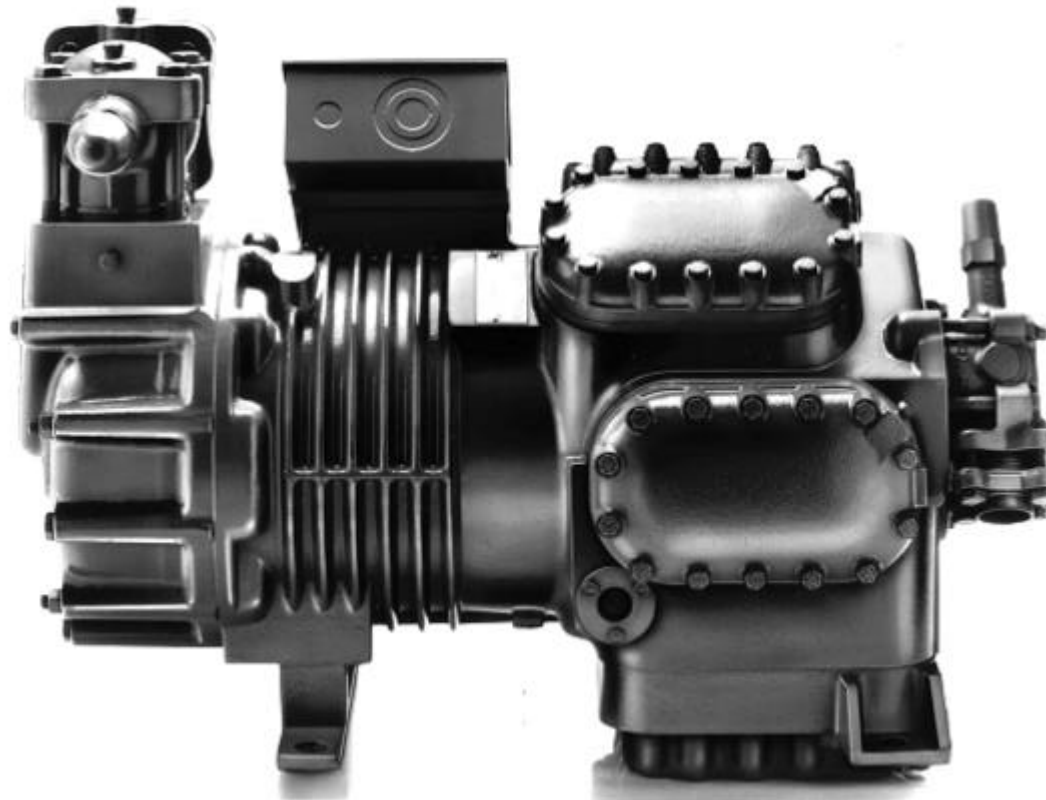

DWM COPELAND

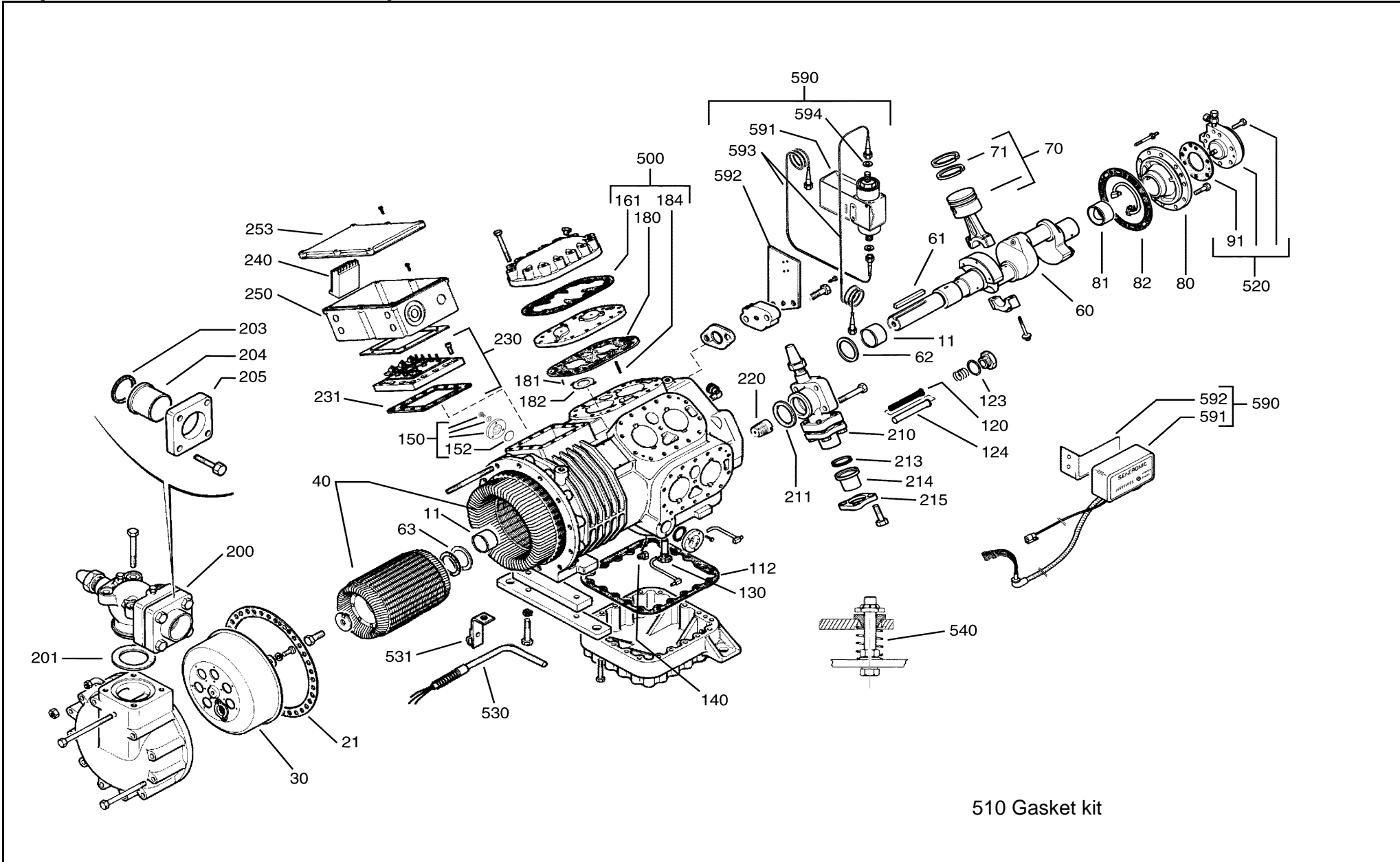
Spare Parts List for
Motor Compressors

D8D.*



Exploded View of a Motor Compressor

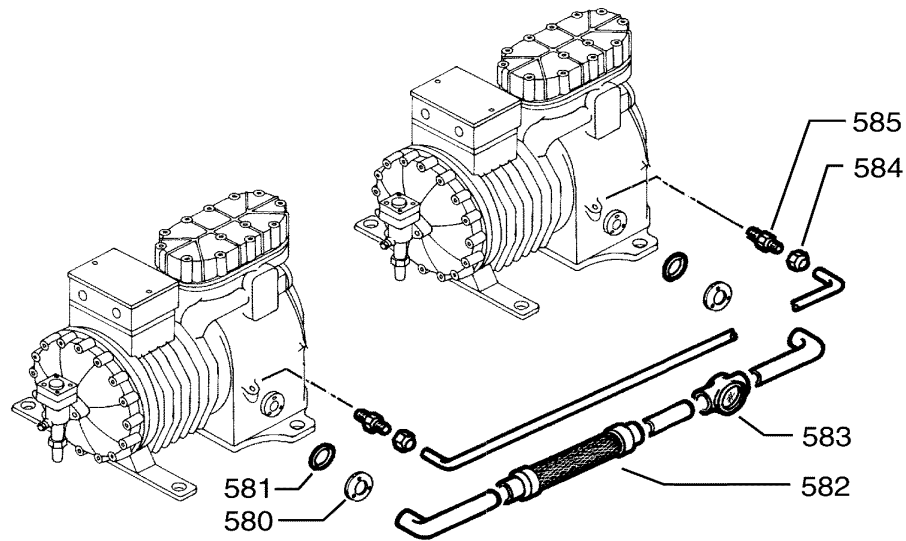
D8D.*



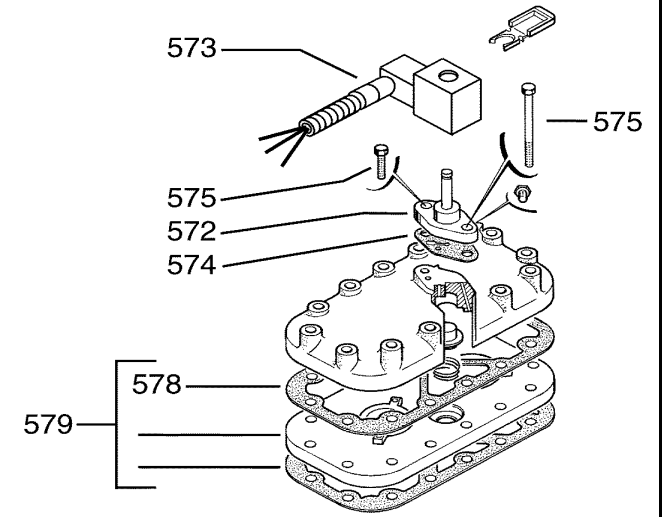
Exploded Views of Accessories

D8D.*

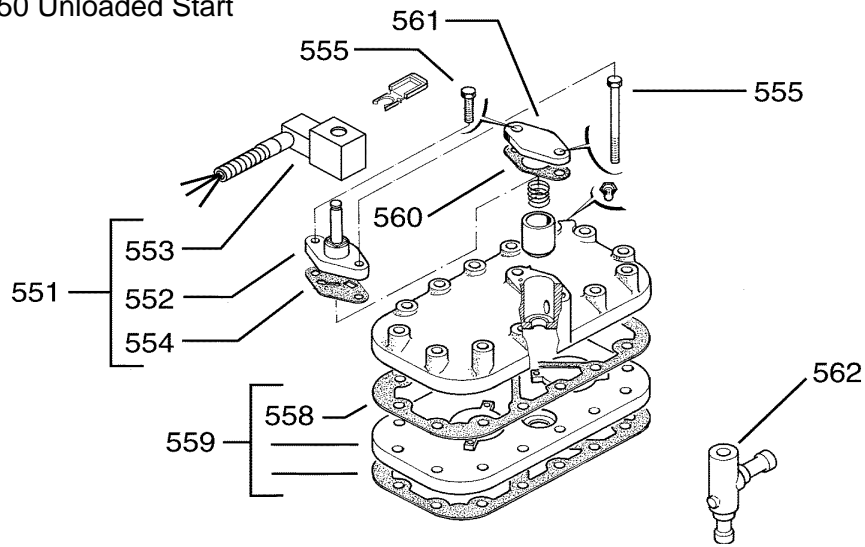
580 Oil balance tube for 2 compressors



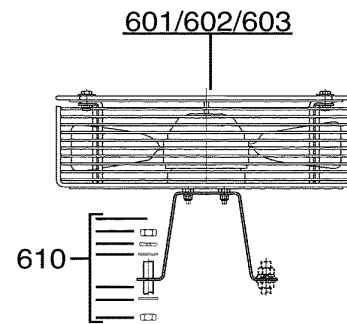
570 Capacity Control



550 Unloaded Start



600 Additional fan EBM 75 Z



600 Additional fan 60W

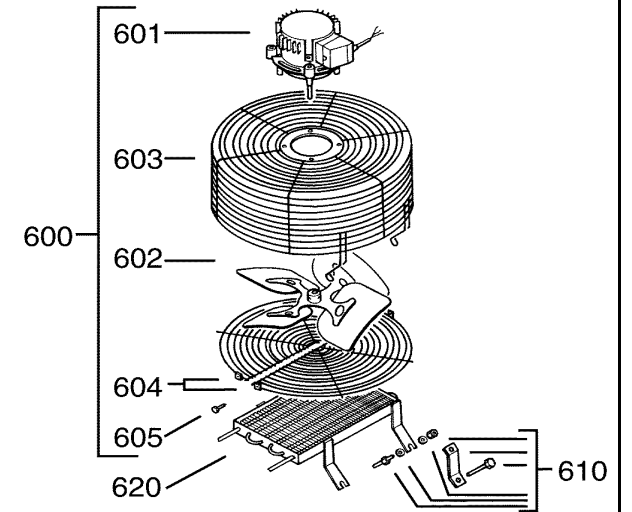


Diagram No.	Description	Part No.	D8DL*-3700	D8DH*-4000	D8DT*-4500	D8DH*-5000	D8DJ*-5000	D8DJ*-6000																																		
	Compressors marked with a "X" in the model name, e.g. D8DJ*-600X, are charged with ester oil and have the same parts as the standard compressors																																									
11	Bearing motor - and gear side	2938910	2	2	2	2	2	2																																		
21	Gasket for housing cover	2880771	1	1	1	1	1	1																																		
21/30	Suction strainer assy complete with gasket	2917471	1	1	1	1	1	1																																		
40	Motor unit 37HP BWM/D	4563358	1																																							
40	Motor unit 37HP EWM/D	4563325	1																																							
40	Motor unit 37HP EWL	4563314	1																																							
40	Motor unit 37HP EWK	4563336	1																																							
40	Motor unit 40HP BWM/D	4563461		1																																						
40	Motor unit 40HP EWM/D	4563438		1																																						
40	Motor unit 40HP EWL	4563405		1																																						
40	Motor unit 40HP EWK	4563449		1																																						
40	Motor unit 45HP BWM/D	4563552			1																																					
40	Motor unit 45HP EWM/D	4563529			1																																					
40	Motor unit 45HP EWL	4563518			1																																					
40	Motor unit 45HP EWK	4563530			1																																					
40	Motor unit 50HP BWM/D	4563665				1	1																																			
40	Motor unit 50HP EWM/D	4563632				1	1																																			
40	Motor unit 50HP EWL	4563609				1	1																																			
40	Motor unit 50HP EWK	4563643				1	1																																			
40	Motor unit 60HP BWM/D	4563756						1																																		
40	Motor unit 60HP EWM/D	4563723						1																																		
40	Motor unit 60HP EWL	4563712						1																																		
40	Motor unit 60HP EWK	4563734						1																																		
60	Crankshaft	2830641	1	1	1	1	1	1																																		
61	Crankshaft key	2947292	1	1	1	1	1	1																																		
62	Washer	2917631	2	2	2	2	2	2																																		
70	Piston con-rod assy, 2 pcs per kit	2836285	4	4		4																																				
70	Piston con-rod assy, 2 pcs per kit	2836296			4		4	4																																		
71	Piston ring	2862402	16	16		16																																				
71	Piston ring	2862413			16		16	16																																		
80	Housing cover with bearing	2917379	1	1	1	1	1	1																																		
80	Housing cover with bearing for oil cooler connection	2875877	1		1																																					
81	Bearing for housing cover	2938910	1	1	1	1	1	1																																		
82	Gasket for housing cover	2884251	1	1	1	1	1	1																																		
91	Gasket for oil pump	2884262	1	1	1	1	1	1																																		
	Gasket, O-ring for oil pump	2947601	1	1	1	1	1	1																																		
	Gasket, O-ring for oil pump CONCENTRIC	2830754	1	1	1	1	1	1																																		
112	Gasket for bottom plate	2883087	1	1	1	1	1	1																																		

Diagram No.	Description	Part No.	D8DL*-3700	D8DH*-4000	D8DT*-4500	D8DH*-5000	D8DJ*-5000	D8DJ*-6000																																	
	Compressors marked with a "X" in the model name, e.g. D8DJ*-600X, are charged with ester oil and have the same parts as the standard compressors																																								
120/123	Oil screen with gasket until 03.91	3806785	1	1	1	1	1	1																																	
120/123	Oil screen with gasket from 04.91	3806796	1	1	1	1	1	1																																	
123	Gasket for oil screen until 03.91	2880920	1	1	1	1	1	1																																	
123	Gasket for oil screen from 04.91	2885005	1	1	1	1	1	1																																	
124	Sleeve for oil screen from 04.91	2882722	1	1	1	1	1	1																																	
130	Gas check valve	2524817	1	1	1	1	1	1																																	
140	Oil check valve	2862060	1	1	1	1	1	1																																	
150	Oil sight glass assy. (1 piece)	2482519	2	2	2	2	2	2																																	
152	Gasket for oil sight glass (1 piece)	2042028	2	2	2	2	2	2																																	
161	Gasket for valve plate below cylinder head (1 piece). Cylinder heads fitted with capacity control and/or unloaded start use gasket 2880839	2880828	4	4	4	4	4	4																																	
161/180	Gaskets for 1 valve plate (kit) below cylinder head (1 piece) and below valve plate (3 pcs)	2845681	4	4		4																																			
161/180	Gaskets for 1 valve plate (kit) below cylinder head (1 piece) and below valve plate (3 pcs)	2845692			4		4	4																																	
180	Gasket for valve plate below valve plate 0,029-0,033 inches (1 piece)	2881876	4	4		4																																			
180	Gasket for valve plate below valve plate 0,034-0,038 inches (1 piece)	2528875	4	4		4																																			
180	Gasket for valve plate below valve plate 0,039-0,043 inches (1 piece)	3106225	4	4		4																																			
180	Gasket for valve plate below valve plate 0,029-0,033 inches (1 piece)	2881934			4		4	4																																	
180	Gasket for valve plate below valve plate 0,034-0,038 inches (1 piece)	2528944			4		4	4																																	
180	Gasket for valve plate below valve plate 0,039-0,043 inches (1 piece)	3106281			4		4	4																																	
181/182	Parts for 1 valve plate (kit) suction valve reed, dowel pin	2836865	4	4	4	4	4	4																																	
200/201	Suction shut-off valve with gasket, sweat 2 5/8"	2837142	1	1		1																																			
200/201	Suction shut-off valve with gasket, sweat 3 1/8"	2837153			1		1	1																																	
	Suction shut-off valve with gasket, sweat 4 1/8" Tandem-compressors	2846140	1	1	1	1	1	1																																	
201	Gasket for suction shut-off valve	2880873	1	1	1	1	1	1																																	
	Gasket for suction shut-off valve Tandem-compressors	2881194	1	1	1	1	1	1																																	
203	Gasket for pipe socket	2880873	1	1	1	1	1	1																																	
	Gasket for pipe socket Tandem-compressors	2881207	1	1	1	1	1	1																																	
204	Pipe socket 2 5/8"	3055009	1	1		1																																			

Diagram No.	Description	Part No.	D8DL*-3700	D8DH*-4000	D8DT*-4500	D8DH*-5000	D8DJ*-5000	D8DJ*-6000																														
	Compressors marked with a "X" in the model name, e.g. D8DJ*-600X, are charged with ester oil and have the same parts as the standard compressors																																					
204	Pipe socket 3 1/8"	2856674			1		1	1																														
	Pipe socket 4 1/8" Tandem-compressors	2834176	1	1	1	1	1	1																														
205	Flange 2 5/8"/3 1/8"	2830958	1	1		1																																
	Flange 4 1/8" Tandem-compressors	3095376	1	1	1	1	1	1																														
210/211	Discharge shut-off valve with gasket, sweat 1 5/8"/42 mm	2837084	1	1	1	1	1	1																														
211	Gasket for discharge shut-off valve	2880851	1	1	1	1	1	1																														
213	Gasket for pipe socket Henry	2880895	1	1	1	1	1	1																														
213	Gasket for pipe socket Nobis	2881467	1	1	1	1	1	1																														
214	Pipe socket 1 5/8"/42 mm Henry	2938829	1	1	1	1	1	1																														
214	Pipe socket 1 5/8"/42 mm Nobis	2938830	1	1	1	1	1	1																														
215	Flange 1 5/8"/42mm Henry/Nobis	2050078	1	1	1	1	1	1																														
	Shipping plate with gasket and screws (kit), suction side	2846117	1	1	1	1	1	1																														
	Shipping plate with gasket and screws (kit), discharge side	2846128	1	1	1	1	1	1																														
220	Internal pressure relief valve	3086072	1	1	1	1	1	1																														
230	Terminal plate assy.	3068247	1	1	1	1	1	1																														
	Pack up terminal parts (kit)	2882879	1	1	1	1	1	1																														
231	Gasket for terminal plate	2880840	1	1	1	1	1	1																														
240	Module for VW-protection Kriwan INT 69 TM internal 24 V, DC	2832476	1	1	1	1	1	1																														
240	Module for VW-protection Kriwan INT 69 TM internal 24 V	2831553	1	1	1	1	1	1																														
240	Module for VW-protection Kriwan INT 69 TM internal 110 V	2831326	1	1	1	1	1	1																														
240	Module for VW-protection Kriwan INT 69 TM internal 230 V	2919411	1	1	1	1	1	1																														
240	Module for VW-protection Kriwan INT 69 TM internal 200-260 V	2940973	1	1	1	1	1	1																														
250	Terminal box	2937757	1	1	1	1	1	1																														
253	Cover for terminal box EW-, TW-, BW-	2937768	1	1	1	1	1	1																														
254	Gasket for terminal box	2938396	1	1	1	1	1	1																														
500	Valve plate assy, with the corresponding thickest valve plate gasket Compressors fitted with capacity control and/or unloaded start device use valve plate 3106850 !	3104796	4		4																																	
500	Valve plate assy, with the corresponding thickest valve plate gasket Compressors fitted with capacity control and/or unloaded start device use valve plate 2832078 !	2831939		4		4	4	4																														
510	Gasket kit, with the corresponding thickest valve plate gaskets	2832294	1	1	1	1	1	1																														
520	Oil pump assy	2834778	1	1	1	1	1	1																														
530	Crankcase heater internal 200 W, 120 V	2832216	1	1	1	1	1	1																														
530	Crankcase heater internal 200 W, 240 V	2832205	1	1	1	1	1	1																														
530	Crankcase heater internal 200 W, 480 V	3105653	1	1	1	1	1	1																														

Diagram No.	Description	Part No.	D8DL*-3700	D8DH*-4000	D8DT*-4500	D8DH*-5000	D8DJ*-5000	D8DJ*-6000																																	
	Compressors marked with a "X" in the model name, e.g. D8DJ*-600X, are charged with ester oil and have the same parts as the standard compressors																																								
562	Check valve with strong spring for Tandem-compressors and parallel systems 28 mm NRVH 28 S	2952254	1	1																																					
562	Check valve 42 mm NRV 42 S	2946926		1	1	1	1																																		
562	Check valve with strong spring for Tandem-compressors and parallel systems 42 mm NRVH 42 S	2952265		1		1	1	1																																	
570	Capacity Control (conversion kit) with the corresponding thickest valve plate gasket, 25 % reduction 230 V, 50/60 Hz internal ALCO CONTROLS	3106792	1	1																																					
570	Capacity Control (conversion kit) with the corresponding thickest valve plate gasket, 50 % reduction 230 V, 50/60 Hz internal ALCO CONTROLS	3106792	2	2																																					
570	Capacity Control (conversion kit) with the corresponding thickest valve plate gasket, 25 % reduction 230 V, 50/60 Hz internal ALCO CONTROLS	2871579		1		1	1	1																																	
570	Capacity Control (conversion kit) with the corresponding thickest valve plate gasket, 50 % reduction 230 V, 50/60 Hz internal ALCO CONTROLS	2871579		2		2	2	2																																	
570a	Capacity control (conversion kit) inactive 25 % reduction w/o control valve, w/o coil	3106725	1	1																																					
570a	Capacity control (conversion kit) inactive 50 % reduction w/o control valve, w/o coil	3106725	2	2																																					
570a	Capacity control (conversion kit) inactive 25 % reduction w/o control valve, w/o coil	3106827		1		1	1	1																																	
570a	Capacity control (conversion kit) inactive 50 % reduction w/o control valve, w/o coil	3106827		2		2	2	2																																	
571	Capacity control kit (control valve, gasket, coil) 25 % reduction 24 V, DC internal ALCO CONTROLS	2879562	1	1	1	1	1	1																																	
571	Capacity control kit (control valve, gasket, coil) 50 % reduction 24 V, DC internal ALCO CONTROLS	2879562	2	2	2	2	2	2																																	
571	Capacity control kit (control valve, gasket, coil) 25 % reduction 24 V, 50/60 Hz internal ALCO CONTROLS	2865796	1	1	1	1	1	1																																	
571	Capacity control kit (control valve, gasket, coil) 50 % reduction 24 V, 50/60 Hz internal ALCO CONTROLS	2865796	2	2	2	2	2	2																																	
571	Capacity control kit (control valve, gasket, coil) 25 % reduction 120 V, 50/60 Hz internal ALCO CONTROLS	2865785	1	1	1	1	1	1																																	
571	Capacity control kit (control valve, gasket, coil) 50 % reduction 120 V, 50/60 Hz internal ALCO CONTROLS	2865785	2	2	2	2	2	2																																	

Diagram No.	Description	Part No.	D8DL*-3700	D8DH*-4000	D8DT*-4500	D8DH*-5000	D8DJ*-5000	D8DJ*-6000																					
	Compressors marked with a "X" in the model name, e.g. D8DJ*-600X, are charged with ester oil and have the same parts as the standard compressors																												
571	Capacity control kit (control valve, gasket, coil) 25 % reduction 230 V, 50/60 Hz ALCO CONTROLS	2835339	1	1	1	1	1	1																					
571	Capacity control kit (control valve, gasket, coil) 50 % reduction 230 V, 50/60 Hz ALCO CONTROLS	2835339	2	2	2	2	2	2																					
572	Control valve for capacity control w/o coil ALCO CONTROLS	2640831	1	1	1	1	1	1																					
573	Solenoid coil 24 V, DC ALCO CONTROLS	2831337	1	1	1	1	1	1																					
573	Solenoid coil 24 V, 50/60 Hz ALCO CONTROLS	2731051	1	1	1	1	1	1																					
573	Solenoid coil 120 V, 50/60 Hz ALCO CONTROLS	2830049	1	1	1	1	1	1																					
573	Solenoid coil 230 V, 50/60 Hz ALCO CONTROLS	2640773	1	1	1	1	1	1																					
574	Gasket for control valve	2954954	1	1	1	1	1	1																					
575	Bolt 3/8"-16 UNC x 1 1/8" 10.9	2871546	1	1	1	1	1	1																					
575	Bolt 3/8"-16 UNC x 3 7/8" 10.9	2871524	1	1	1	1	1	1																					
	Shipping plate for capacity control (capacity control not active)	2830016	1	1	1	1	1	1																					
	Gasket for shipping plate	2877997	1	1	1	1	1	1																					
578	Gasket below cylinder head (when capacity control/ unloaded start)	2880839	1	1	1	1	1	1																					
579	Valve plate assy for capacity control, with the corresponding thickest valve plate gasket	3106850	1		1																								
579	Valve plate assy for capacity control, with the corresponding thickest valve plate gasket	2832078		1		1	1	1																					
580	Flange sweat (1 piece)	2496330	2	2	2	2	2	2																					
581	Gasket for flange sweat (1 piece)	2042028	2	2	2	2	2	2																					
582	Vibration absorber	2040099	1	1	1	1	1	1																					
583	Oil sight glass SLG 28	2495882	1	1	1	1	1	1																					
584	Insert socket 1/4"-18 NPTF (1 piece)	2063909	2	2	2	2	2	2																					
585	Cap nut (1 piece)	2038456	2	2	2	2	2	2																					
	Oil and gas equalization line for 1 compressor (flange sweat, gasket, insert socket, cap nut)	3106952	1	1	1	1	1	1																					
	Oil regulation system, complete, ALCO OMA TraxOil	8527938	1	1	1	1	1	1																					
	Transformer for oil regulating system ALCO OMA TraxOil	8527518	1	1	1	1	1	1																					
	Oil balance tube for Tandem-compressors	2873768	1	1	1	1	1	1																					
590	Oil pressure safety switch with bracket and 2 capillary tubes ALCO CONTROLS	2834030	1	1	1	1	1	1																					
590	Oil pressure safety switch with bracket and sensor SENTRONIC	2835420	1	1	1	1	1	1																					
591	Oil pressure safety switch, w/o bracket, w/o capillary tubes ALCO CONTROLS	2966622	1	1	1	1	1	1																					

Diagram No.	Description	Part No.	D8DL* -3700	D8DH* -4000	D8DT* -4500	D8DH* -5000	D8DJ* -5000	D8DJ* -6000																							
	Compressors marked with a "X" in the model name, e.g. D8DJ*-600X, are charged with ester oil and have the same parts as the standard compressors																														
591	Oil pressure safety switch, w/o bracket, w/o sensor, SENTRONIC (Caution! Obsolete and new SENTRONIC parts, e.g. obsolete module with new sensor, must not be used commonly)	2951853	1	1	1	1	1	1																							
591	Oil pressure safety switch, w/o bracket, w/o sensor, SENTRONIC+ NEW (Caution! Obsolete and new SENTRONIC parts, e.g. obsolete module with new sensor, must not be used commonly)	3107013	1	1	1	1	1	1																							
591/593	Oil pressure safety switch with 2 capillary tubes, w/o bracket ALCO CONTROLS	2942300	1	1	1	1	1	1																							
592	Bracket for oil pressure safety switch ALCO CONTROLS/Ranco	2831020	1	1	1	1	1	1																							
592	Bracket for oil pressure safety switch SENTRONIC	2917697	1	1	1	1	1	1																							
593	Capillary tube for oil pressure safety switch with gaskets, Cu-ring ALCO CONTROLS/Ranco (1 piece)	3808214	2	2	2	2	2	2																							
594	Gasket, Cu-ring ALCO CONTROLS/Ranco (1 piece)	2974343	4	4	4	4	4	4																							
	Sensor with gaskets SENTRONIC (Caution! Obsolete and new SENTRONIC parts, e.g. obsolete module with new sensor, must not be used commonly)	3807460	1	1	1	1	1	1																							
	Sensor with gaskets SENTRONIC+ NEW (Caution! Obsolete and new SENTRONIC parts, e.g. obsolete module with new sensor, must not be used commonly)	3107046	1	1	1	1	1	1																							
	Gasket, O-ring for sensor SENTRONIC	2944124	1	1	1	1	1	1																							
	Gasket, circular for sensor SENTRONIC	2951831	1	1	1	1	1	1																							
	Extension cable 3 m SENTRONIC (Caution! Obsolete and new SENTRONIC parts, e.g. obsolete module with new sensor, must not be used commonly)	3808087	1	1	1	1	1	1																							
	Extension cable 3 m SENTRONIC+ NEW (Caution! Obsolete and new SENTRONIC parts, e.g. obsolete module with new sensor, must not be used commonly)	3107035	1	1	1	1	1	1																							
600	Additional fan assy, vertical, 60 W, 220-1-50, only for compressors with oil cooler	2834336	1		1																										
600	Additional fan assy, vertical, 60 W, 220/380-3-50/60, only for compressors with oil cooler	2832567	1		1																										
600	Additional fan assy, vertical, 220-1-50/60 EBM, not for compressors with oil cooler	2987876	1	1	1	1	1	1																							
600	Additional fan assy, vertical, 220/380-3-50/60 EBM, not for compressors with oil cooler	2987865	1	1	1	1	1	1																							

