
DWM COPELAND

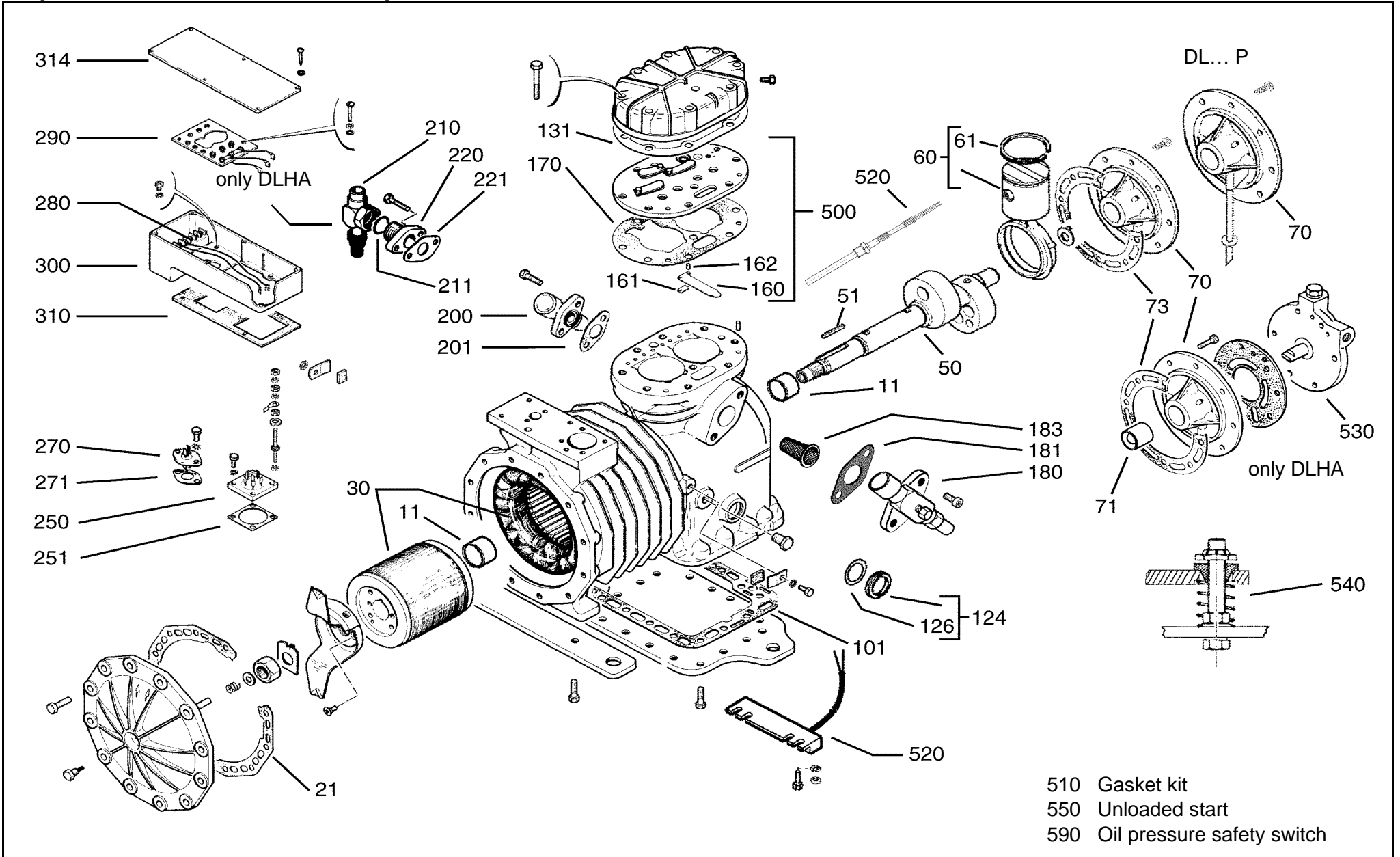
**Spare Parts List for
Motor- Compressors**

DL



Exploded View of a Motor Compressor

DL

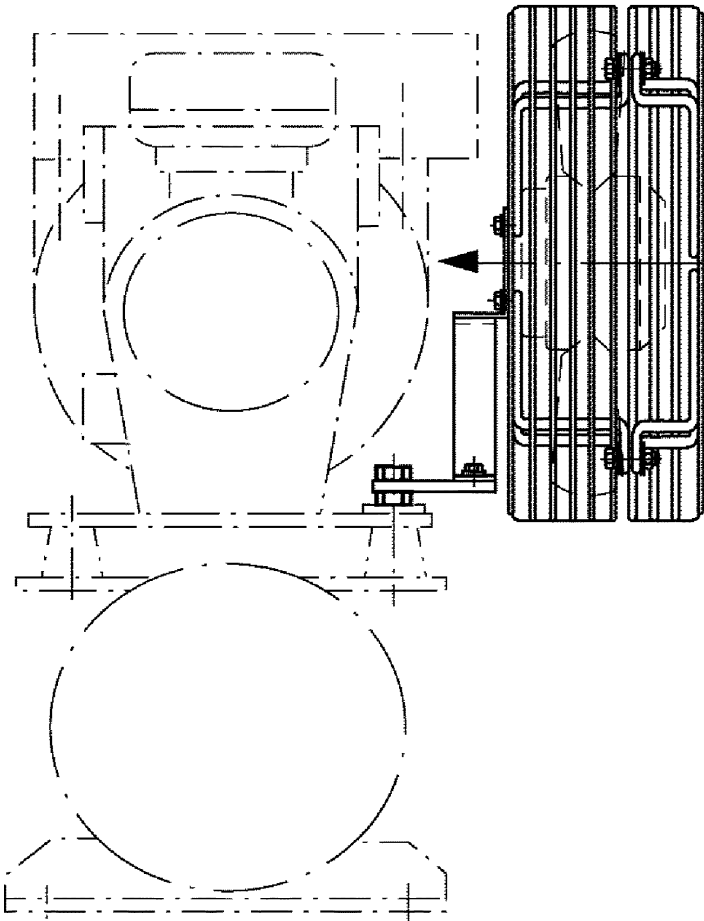


- 510 Gasket kit
- 550 Unloaded start
- 590 Oil pressure safety switch

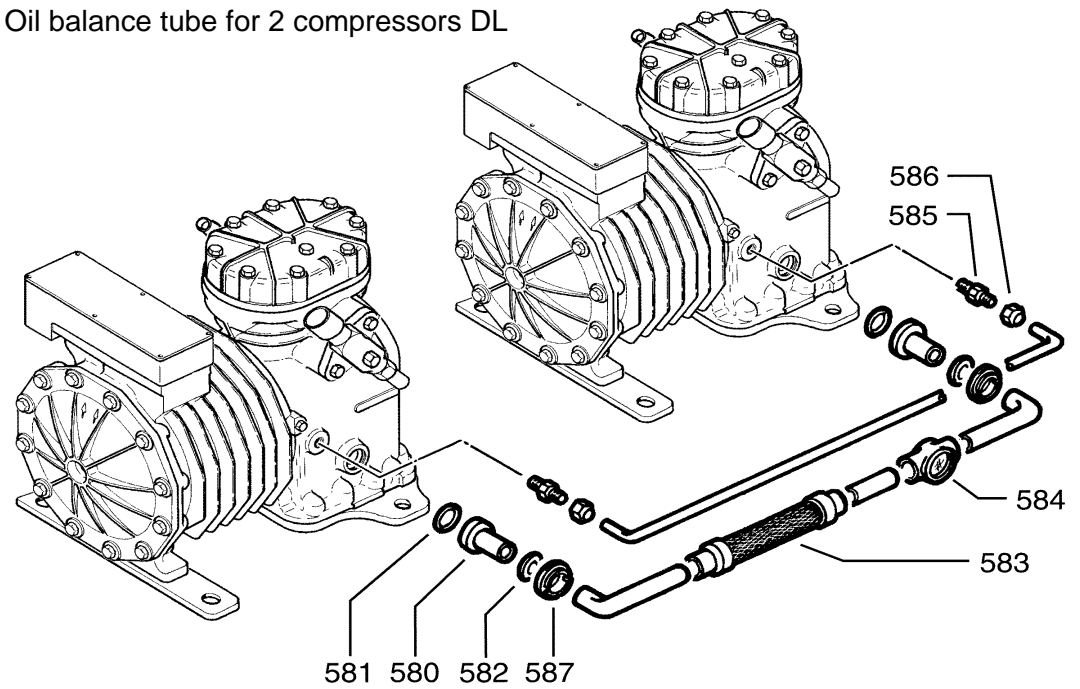
Exploded Views of Accessories

DL

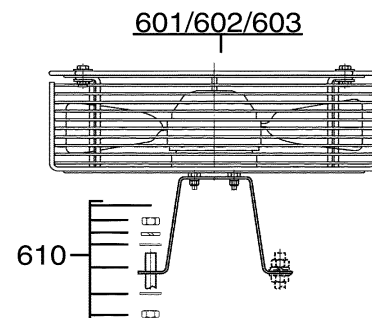
600 Mounting of horizontal fan EBM



Oil balance tube for 2 compressors DL



600 Additional fan EBM 75 Z



600 Additional fan

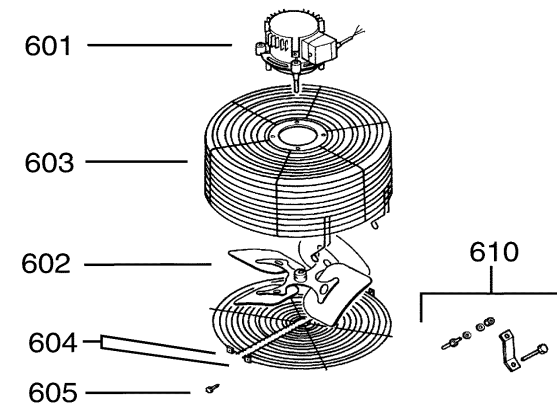


Diagram No.	Description	Part No.	DLEB - 201	DLED/E - 201	DLEP - 20X	DLFA/B - 201	DLFD/E - 201	DLFP - 20X	DLJD/E - 201	DLJP - 20X	DLL* - 201	DLLP - 20X	DLFD/E - 301	DLFP - 30X	DLJD/E - 301	DLJP - 30X	DLL* - 301	DLLP - 30X	DLSG* - 301	DLSGP - 30X	DLL* - 401	DLSG* - 401	DLSGP - 40X	DLHA - 500	DLHA - 50X													
11	Body main bearing plain	2488028	2	2	2	2	2	2	2	2	2	2	2	2	2	2	2	2	2	2	2	2	2	2	2	2												
21	Gasket for stator cover	2525138	1	1	1	1	1	1	1	1	1	1	1	1	1	1	1	1	1	1	1	1	1	1	1	1												
30	Motor unit 2HP EWL/N	2568777	1	1	1	1	1	1	1	1	1	1																										
30	Motor unit 2HP EWK	2568813	1	1	1	1	1	1	1	1	1	1																										
30	Motor unit 3HP EWL/N	2568857											1	1	1	1	1	1	1	1																		
30	Motor unit 3HP EWM/D	2568868											1	1	1	1	1	1	1	1																		
30	Motor unit 3HP EWK	2568891											1	1	1	1	1	1	1	1																		
30	Motor unit 4HP EWL	2569805																				1	1	1														
30	Motor unit 4HP EWM	2568982																				1	1	1														
30	Motor unit 5HP EWM/D	4563870																							1	1												
30	Motor unit 5HP EWL	4563869																							1	1												
30	Motor unit 5HP EWK	4563881																						1	1													
50	Eccentric shaft	2045049	1	1		1	1		1		1		1		1		1				1																	
50	Eccentric shaft	2941352			1			1		1		1		1		1		1																				
50	Eccentric shaft	2912783																		1			1															
50	Eccentric shaft	2941250																			1			1														
50	Crankshaft	6707058																							1	1												
51	Crankshaft key	2297339	1	1	1	1	1	1	1	1	1	1	1	1	1	1	1	1	1	1	1	1	1	1	1	1	1	1	1	1	1	1	1	1	1	1	1	
51	Crankshaft key	2977057																																				
51	Distance plate	6000020				1		1		1		1		1		1		1		1			1		1													
60	Piston con-rod assy, 2 pcs per kit	2835953	1	1																																		
60	Piston con-rod assy, 2 pcs per kit	3809671			1																																	
60	Piston con-rod assy, 2 pcs per kit, not available anymore	2835975				1																																
60	Piston con-rod assy, 2 pcs per kit	2835986					1						1																									
60	Piston con-rod assy, 2 pcs per kit	3809682						1						1																								
60	Piston con-rod assy, 2 pcs per kit	2835964							1						1																							
60	Piston con-rod assy, 2 pcs per kit	3809693								1						1																						
60	Piston con-rod assy, 2 pcs per kit	2835997									1						1																					
60	Piston con-rod assy, 2 pcs per kit	3809706										1						1																				
60	Piston con-rod assy, 2 pcs per kit	2836003																	1																			
60	Piston con-rod assy, 2 pcs per kit	3809717																		1																		
60	Piston con-rod assy, 2 pcs per kit	6720491																																				
61	Piston ring	2918816	2	2	2																																	
61	Piston ring	2918827				2	2	2					2	2																								
61	Piston ring	2975379							2	2					2	2																						
61	Piston ring	2918849									2	2					2	2				2																
61	Piston ring	2918850																	2	2		2	2	2	2	2	2	2	2	2	2	2	2	2	2	2	2	
70	Housing cover alu assy	2988288	1	1		1	1		1		1		1		1		1		1		1	1																

Diagram No.	Description	Part No.	DLEB - 201	DLED/E - 201	DLEP - 20X	DLFA/B - 201	DLFD/E - 201	DLFP - 20X	DLJD/E - 201	DLJP - 20X	DLL* - 201	DLLP - 20X	DLFD/E - 301	DLFP - 30X	DLJD/E - 301	DLJP - 30X	DLL* - 301	DLLP - 30X	DLSG* - 301	DLSGP - 30X	DLL* - 401	DLSG* - 401	DLSGP - 40X	DLHA - 500	DLHA - 50X																
70	Housing cover with bearing	6709292																						1	1																
70/73	Housing cover with oil pump, gasket and screws	3092515			1			1		1		1		1		1		1		1			1																		
71	Bearing	6709327																																							
73	Gasket for housing cover	2948693	1	1	1	1	1	1	1	1	1	1	1	1	1	1	1	1	1	1	1	1	1	1	1	1	1	1	1	1	1	1	1	1	1	1	1	1			
81	Gasket for oil screen	6602642																																							
	Gasket, O-ring for oil pump	2830754																																							
	Gasket for oil pump cover	2959880			1			1		1		1		1		1		1		1			1																		
	Oil pick up tube with gaskets	2988982			1			1		1		1		1		1		1		1			1																		
101	Gasket for bottom plate	2729383	1	1	1	1		1	1	1	1	1	1	1	1	1	1	1	1	1	1	1	1	1	1	1	1	1	1	1	1	1	1	1	1	1	1	1	1		
110	Oil screen with gasket	2846139																																							
124	Oil sight glass, complete	2834052	1	1	1	1		1	1	1	1	1	1	1	1	1	1	1	1	1	1	1	1	1	1	1	1	1	1	1	1	1	1	1	1	1	1	1	1		
126	Gasket for oil sight glass	2043292	1	1	1	1	1	1	1	1	1	1	1	1	1	1	1	1	1	1	1	1	1	1	1	1	1	1	1	1	1	1	1	1	1	1	1	1	1		
131	Gasket for valve plate below cylinder head	6602528	1			1																																			
131	Gasket for valve plate below cylinder head	2915168		1	1			1	1	1	1	1	1	1	1	1	1	1	1	1	1	1	1	1	1	1	1	1	1	1	1	1	1	1	1	1	1	1	1		
131/170	Gaskets for valve plate (kit), below cylinder head, below valve plate	2845330	1																																						
131/170	Gaskets for valve plate (kit), below cylinder head, below valve plate	2845341		1	1																																				
131/170	Gaskets for valve plate (kit), below cylinder head, below valve plate	2845363				1																																			
131/170	Gaskets for valve plate (kit), below cylinder head, below valve plate	2845374					1	1					1	1																											
131/170	Gaskets for valve plate (kit), below cylinder head, below valve plate	2845352							1	1					1	1																									
131/170	Gaskets for valve plate (kit), below cylinder head, below valve plate	2845385									1	1					1	1				1																			
131/170	Gaskets for valve plate (kit), below cylinder head, below valve plate	2845396																	1	1			1	1																	
131/170	Gaskets for valve plate (kit), below cylinder head, below valve plate	3092582																																							
160/161/ 162	Parts for 1 valve plate: suction valve reed, pad, dowel pin	2836718	1	1	1																																				
160/161/ 162	Parts for 1 valve plate: suction valve reed, pad, dowel pin	2836729				1	1	1	1	1			1	1	1																										
160/161/ 162	Parts for 1 valve plate: suction valve reed, pad, dowel pin	2836730									1	1					1	1	1	1	1	1	1	1	1	1	1	1	1	1	1	1	1	1	1	1	1	1	1	1	
160/161/ 162	Parts for 1 valve plate: suction valve reed, pad, dowel pin	3092593																																							
170	Gasket below valve plate	2953575	1																																						
170	Gasket for valve plate below valve plate	2949709		1	1																																				
170	Gasket below valve plate	2953622				1																																			
170	Gasket for valve plate below valve plate	2949710					1	1					1	1																											
170	Gasket for valve plate below valve plate	2949721							1	1					1	1																									
170	Gasket for valve plate below valve plate	2949732									1	1					1	1				1																			
170	Gasket for valve plate below valve plate	2949743																	1	1			1	1																	
170	Gasket for valve plate below valve plate	2982111																																							
180/181	Suction shut-off valve with gasket, sweat 7/8"	2837039	1	1	1	1	1	1	1	1	1	1																													
180/181	Suction shut-off valve with gasket, sweat 1 1/8"	2837040											1	1	1	1	1	1	1	1	1	1	1	1	1	1	1	1	1	1	1	1	1	1	1	1	1	1	1		
181	Gasket for suction shut-off valve for obsolete models	2949765	1			1					1																														
181	Gasket for suction shut-off valve	2963043	1	1	1	1	1	1	1	1	1	1	1	1	1	1	1	1	1	1	1	1	1	1	1	1	1	1	1	1	1	1	1	1	1	1	1	1	1	1	

Diagram No.	Description	Part No.	DLEB - 201	DLED/E - 201	DLEP - 20X	DLFA/B - 201	DLFD/E - 201	DLFP - 20X	DLJD/E - 201	DLJP - 20X	DLL* - 201	DLLP - 20X	DLFD/E - 301	DLFP - 30X	DLJD/E - 301	DLJP - 30X	DLL* - 301	DLLP - 30X	DLSG* - 301	DLSGP - 30X	DLL* - 401	DLSG* - 401	DLSGP - 40X	DLHA - 500	DLHA - 50X																		
520	Crankcase heater, external 65 W, 480 V	4577442	1	1	1	1	1	1	1	1	1	1	1	1	1	1	1	1	1	1	1	1	1	1	1	1																	
520	Crankcase heater, internal 70 W, 115 V for model variation... "E", "P"	2834370		1	1		1	1	1	1	1	1	1	1	1	1	1	1	1	1	1	1	1	1	1	1																	
520	Crankcase heater, internal 70 W, 230 V for model variation... "E", "P"	2834369		1	1		1	1	1	1	1	1	1	1	1	1	1	1	1	1	1	1	1	1	1	1																	
	Silicon paste for mounting the crankcase heater, for model variation... "E", "P"	2942537		1	1		1	1	1	1	1	1	1	1	1	1	1	1	1	1	1	1	1	1	1	1																	
530	Oil pump assy	3092628																																									
540	Mounting parts (kit)	2188340	1	1	1	1	1	1	1	1	1	1	1	1	1	1	1	1	1	1	1																						
540	Mounting parts (kit)	2188475																				1	1	1	1	1																	
	Rubber mounting parts (kit)	2933266	1	1	1	1	1	1	1	1	1	1	1	1	1	1	1	1	1	1	1	1	1	1	1	1																	
550	Unloaded start w/o check valve with solenoid coil, 24 V, DC Danfoss	3808781																																									
550	Unloaded start w/o check valve with solenoid coil 24 V, 50 Hz Danfoss	3808770																																									
550	Unloaded start w/o check valve with solenoid coil 110 V, 50/60 Hz Danfoss	3808769																																									
550	Unloaded start w/o check valve with solenoid coil 220 V, 50/60 Hz Danfoss	3808758																																									
552	Unloaded start (piping assy), w/o solenoid coil, w/o gasket, Danfoss	2987218																																									
553	Solenoid coil for unloaded start 24 V, DC Danfoss	2943949																																									
553	Solenoid coil for unloaded start 24 V, 50 Hz Danfoss	2940257																																									
553	Solenoid coil for unloaded start 110 V, 50/60 Hz Danfoss	2940246																																									
553	Solenoid coil for unloaded start 220 V, 50/60 Hz Danfoss	2940235																																									
554	Gasket for flange suction side (1 piece)	2963043																																									
555	Gasket for flange discharge side (1 piece)	2949765																																									
556	Hex screw, suction side 1/2"-13 UNC x 2 1/4" (1 piece)	3058075																																									
557	Hex screw, discharge side 5/16"-18 UNC x 2" (1 piece)	2486500																																									
558	Check valve 22 mm NRV 22 S	2946891																																									
558	Check valve with with a stronger spring for Tandem-compressors and parallel systems systems 28 mm NRVH 28 S	2952243																																									
580	Pipe socket (1 piece)	2304560	2	2	2	2	2	2	2	2	2	2	2	2	2	2	2	2	2	2	2	2	2	2	2	2	2	2	2	2	2	2	2	2	2	2	2	2	2	2	2	2	
581	Gasket for sweat connection (1 piece)	2043292	2	2	2	2	2	2	2	2	2	2	2	2	2	2	2	2	2	2	2	2	2	2	2	2	2	2	2	2	2	2	2	2	2	2	2	2	2	2	2	2	2
582	Gasket for pipe socket (1 piece)	2912330	2	2	2	2	2	2	2	2	2	2	2	2	2	2	2	2	2	2	2	2	2	2	2	2	2	2	2	2	2	2	2	2	2	2	2	2	2	2	2	2	2
583	Vibration absorber	2040077	1	1	1	1	1	1	1	1	1	1	1	1	1	1	1	1	1	1	1	1	1	1	1	1	1	1	1	1	1	1	1	1	1	1	1	1	1	1	1	1	
584	Oil sight glass SL 18	2341258	1	1	1	1	1	1	1	1	1	1	1	1	1	1	1	1	1	1	1	1	1	1	1	1	1	1	1	1	1	1	1	1	1	1	1	1	1	1	1	1	
585	Insert socket 1/4"-18 NPTF (1 piece)	2063909	2	2	2	2	2	2	2	2	2	2	2	2	2	2	2	2	2	2	2	2	2	2	2	2	2	2	2	2	2	2	2	2	2	2	2	2	2	2	2	2	2
586	Cap nut (1 piece)	2038456	2	2	2	2	2	2	2	2	2	2	2	2	2	2	2	2	2	2	2	2	2	2	2	2	2	2	2	2	2	2	2	2	2	2	2	2	2	2	2	2	2
587	Retainer for oil sight glass (1 piece)	2240720	2	2	2	2	2	2	2	2	2	2	2	2	2	2	2	2	2	2	2	2	2	2	2	2	2	2	2	2	2	2	2	2	2	2	2	2	2	2	2	2	2
	Oil and gas equalization line for 1 compressor (pipe socket, gaskets, retainer, insert socket, cap nut)	3106963	1	1	1	1	1	1	1	1	1	1	1	1	1	1	1	1	1	1	1	1	1	1	1	1	1	1	1	1	1	1	1	1	1	1	1	1	1	1	1	1	1

